

PH20 installation and user's guide

www.renishaw.com

PH20 installation and user's guide

Document part number H-1000-5209-05-C



PH20 installation and user's guide

www.renishaw.com

PH20 general information

© 2010 - 2022 Renishaw plc. All rights reserved.

 ORIGINAL LANGUAGE VERSION

This document may not be copied or reproduced in whole or in part, or transferred to any other media or language by any means, without the prior written permission of Renishaw.

Disclaimer

WHILE CONSIDERABLE EFFORT WAS MADE TO VERIFY THE ACCURACY OF THIS DOCUMENT AT PUBLICATION, ALL WARRANTIES, CONDITIONS, REPRESENTATIONS AND LIABILITY, HOWSOEVER ARISING, ARE EXCLUDED TO THE EXTENT PERMITTED BY LAW.

RENISHAW RESERVES THE RIGHT TO MAKE CHANGES TO THIS DOCUMENT AND TO THE EQUIPMENT, AND/OR SOFTWARE AND THE SPECIFICATION DESCRIBED HEREIN WITHOUT OBLIGATION TO PROVIDE NOTICE OF SUCH CHANGES.

Trade marks

RENISHAW[®], the probe symbol and REVO[®] are registered trade marks of Renishaw plc.

Renishaw product names, designations and the mark 'apply innovation' are trade marks of Renishaw plc or its subsidiaries.

Other brand, product or company names are trade marks of their respective owners.

WEEE



The use of this symbol on Renishaw products and / or accompanying documentation indicates that the product should not be mixed with general household waste upon disposal. It is the responsibility of the end user to dispose of this product at a designated collection point for waste electrical and electronic equipment (WEEE) to enable reuse or recycling. Correct disposal of this product will help to save valuable resources and prevent potential negative effects on the environment. For more information, please contact your local waste disposal service or Renishaw distributor.

Warranty

Unless you and Renishaw have agreed and signed a separate written agreement, the equipment and/or software are sold subject to the Renishaw Standard Terms and Conditions supplied with such equipment and/or software, or available on request from your local Renishaw office.

Renishaw warrants its equipment and software for a limited period (as set out in the Standard Terms and Conditions), provided that they are installed and used exactly as defined in associated Renishaw documentation. You should consult these Standard Terms and Conditions to find out the full details of your warranty.

Equipment and/or software purchased by you from a third-party supplier is subject to separate terms and conditions supplied with such equipment and/or software. You should contact your third-party supplier for details.

PH20 installation and user's guide

www.renishaw.com

Care of equipment

Renishaw probes and associated systems are precision tools used for obtaining precise measurements and must therefore be treated with care.

Changes to Renishaw products

Renishaw reserves the right to improve, change or modify its hardware or software without incurring any obligations to make changes to Renishaw equipment previously sold.

Company registration details

Renishaw plc. Registered in England and Wales. Company no: 1106260. Registered office: New Mills, Wotton-under-Edge, Gloucestershire, GL12 8JR, UK.

Packaging

To aid end user recycling and disposal the materials used in the different components of the packaging are stated here:

Packaging component	Material	94/62/EC code	94/62/EC number
Outer box	Non-corrugated fibreboard	PAP	21
Bag	Low density polyethylene	LDPE	04
Label	Polyethylene terephthalate	PET	01

Patents

Features of the PH20 system and associated products, equipment and techniques are the subjects of one or more of the following patents and patent applications:

CN100464156	EP1307710	IN250931	JP5095211	US6860637
CN101405564	EP1668317	IN292511	JP5276434	US7228641
CN101469966	EP1877728	INWO2007/107776	JP5350216	US7568373
CN101711343	EP1989504	INWO2011/135298	JP5539865	US7783445
CN101772690	EP2002206	INWO2012/010836	JP5578752	US7809523
CN102859316	EP2140318		JP5676186	US8001859
CN103003658	EP2162701		JP5706158	US8336219
	EP2167911		JP5715995	US8474148
	EP2559965		JP5739286	US8601701
	EP2564152		JP6013533	US8756973
	EP2596319			US8939008
	EP3333537			US9052177
				US9377284

PH20 installation and user's guide

www.renishaw.com

PH20 product compliance

EU declaration of conformity

Contact Renishaw plc or visit www.renishaw.com/EUCMM for the full EU declaration.

UK declaration of conformity

Contact Renishaw plc or visit www.renishaw.com/UKCMM for the full UK declaration.

EMC conformity

This equipment must be installed and used in accordance with this installation guide. This product is intended for industrial use only and should not be used in a residential area or connected to a low voltage power supply network which supplies buildings used for residential purposes.

FCC (USA only)

Information to user (47 CFR 15.105)

This equipment has been tested and found to comply with the limits for a Class A digital device, pursuant to Part 15 of the FCC rules. These limits are designed to provide reasonable protection against harmful interference when the equipment is operated in a commercial environment. This equipment generates, uses, and can radiate radio frequency energy and, if not installed and used in accordance with the instruction manual, may cause harmful interference to radio communications. Operation of this equipment in a residential area is likely to cause harmful interference, in which case you will be required to correct the interference at your own expense.

Information to user (47 CFR 15.21)

The user is cautioned that any changes or modifications not expressly approved by Renishaw plc or authorised representative could void the user's authority to operate the equipment.

Equipment label (47 CFR 15.19)

This device complies with part 15 of the FCC Rules. Operation is subject to the following two conditions:

1. This device may not cause harmful interference.
 2. This device must accept any interference received, including interference that may cause undesired operation.
-

PH20 installation and user's guide

www.renishaw.com

ICES-001 (Canada only)

This ISM device complies with Canadian ICES-001(A) / NMB-001(A).

Cet appareil ISM est conforme à la norme ICES-001(A) / NMB-001(A) du Canada.

REACH regulation

Information required by Article 33(1) of Regulation (EC) No. 1907/2006 ("REACH") relating to products containing substances of very high concern (SVHCs) is available at:

www.renishaw.com/REACH

China RoHS

Contact Renishaw plc or visit www.renishaw.com/ChinaRoHSCMM for the full China RoHS tabulation.



PH20 installation and user's guide

www.renishaw.com

PH20 safety



CAUTION: Before unpacking and installing the PH20 system, the user should carefully read the safety instructions below and ensure that they are followed at all times by all operators. Operators must be trained in the use and application of the PH20 system and accompanying products, in the context of the machine it is fitted to, before being allowed to operate that machine.

Please ensure that you understand all safety instructions. Familiarisation with the PH20 system components is recommended.



CAUTION: Permanent magnets are used in some components of the PH20 system and associated products. It is important to keep them away from items which may be affected by magnetic fields, e.g. data storage systems, pacemakers and watches etc.

Operation and maintenance

The product is only to be used with the appropriate Renishaw controller.

Installation of the PH20 system must be performed by trained personnel.

DO NOT edit any of the system files directly, the appropriate commissioning software package should only be used by trained personnel.

It is recommended that the power is removed before performing any maintenance operations.

Maintenance is restricted to procedures described in the maintenance section.

PH20 installation and user's guide

www.renishaw.com

PH20 warnings

Beware of unexpected movement. The user should remain outside of the full working envelope of probe head and stylus. The machine supplier should ensure the user is aware of the full working envelope of the system.

In all applications involving the use of machine tools or CMMs, eye protection is recommended.

It is the machine supplier's responsibility to ensure that the user is made aware of any hazards involved in operation, including those mentioned in Renishaw product documentation, and to ensure that adequate guards and safety interlocks are provided.

Refer to the machine supplier's operating instructions.

Take care to avoid collisions between the head and workpiece or CMM table.

DO ensure that the head is mounted as rigidly as possible in the CMM's quill.

DO ensure that the head is moved clear of any obstruction before requesting a position change.

DO NOT apply force to any moving parts of the head.

DO NOT move the head axes by hand when locked or unlocked.

The product and the system components contain no user serviceable parts. No attempt should be made to disassemble any part of the product. In the event of a problem please contact your supplier for assistance.

The cables must meet Renishaw specifications. Incorrect cabling could cause damage to the equipment.

Under certain circumstances the probe signal may falsely indicate a probe-seated condition. Do not rely on probe signals to stop machine movement.

Probe trigger override will prevent machine backing off in the event of a probe collision.

The probe joint is designed to release the stylus module in the event of a crash.

The product has direct drive motors and the lowest risk reaction to an E-STOP is to perform a fast stop followed by holding position. As such, the head motors will remain live, even if the E-STOP button is depressed

The PH20 head must be transported in Renishaw supplied packaging.

This equipment is not suitable for use in a potentially explosive atmosphere.

PH20 installation and user's guide

www.renishaw.com

PH20 international safety instructions

BG - ПРЕДУПРЕЖДЕНИЕ

Моля, обърнете на приложение 1 и прочетете инструкциите за безопасност на вашия собствен език, преди за разопаковате и монтирате този продукт.

CZ - VÝSTRAHA

Před rozbalením a instalací tohoto výrobku si přečtěte bezpečnostní pokyny ve vlastním jazyce uvedené v příloze 1.

DA - ADVARSEL

Læs sikkerhedsinstrukserne i Appendix 1 FØR udpakning og installation af dette produkt.

DE - WARNHINWEIS

Bevor Sie dieses Produkt auspacken und installieren, konsultieren Sie bitte Anhang 1 und lesen Sie die Sicherheitshinweise in Ihrer Sprache.

EL - ΠΡΟΕΙΔΟΠΟΙΗΣΗ

Γυρίστε στο Κεφάλαιο 1 και διαβάστε τις οδηγίες ασφαλείας στη δική σας γλώσσα προτού ανοίξετε αυτό το προϊόν για να το εγκαταστήσετε.

EN - WARNING

Before unpacking and installing this product, please consult Appendix 1 and read the safety instructions in your language.

ES - ADVERTENCIA

Consulte el apéndice 1 y lea las instrucciones de seguridad en su idioma antes de desempaquetar e instalar este producto.

ET - HOIATUS

Palun vaadake 1. lisa ning lugege enne selle toote lahtipakkimist ja paigaldamist ohutusjuhend läbi.

FI - VAROITUKSIA

Lue liitteessä 1 olevat omalla kielelläsi kirjoitetut turvaohjeet ennen tämän tuotteen pakkauksen avaamista ja asentamista.

FR - AVERTISSEMENT

Consulter l'annexe 1 et les instructions de sécurité dans votre propre langue avant de débiller et d'installer ce produit.

PH20 installation and user's guide

www.renishaw.com

GA - RABHADH

Téigh chuig aguisín 1 agus déan na treoracha sábháilteachta a léamh i do theanga féin le do thoil sula ndéantar an táirge seo a dhíphacáil agus a shuiteáil.

HR - NAPOMENA

Prije nego što proizvod izvadite iz ambalaže i ugradite ga, otvorite Prilog 1 i pročitajte sigurnosne upute na svom jeziku.

HU – FIGYELMEZTETÉS

A termék kicsomagolása és telepítése előtt olvassa el az 1. számú függelékben található, az Ön anyanyelvén hozzáférhető biztonsági utasításokat.

IT - AVVISO

Prima di aprire ed installare questo prodotto, leggere le istruzioni di sicurezza nella vostra lingua riportate nell'Appendice 1.

JA - 警告

この製品を箱から取り出し設置する前に、付録 1 に記載された安全性に関する注意書きをお読みください。

LT – ĮSPĖJIMAS

Prieš išpakuodami ir įdiegdami produktą, turite grįžti prie 1 priedo ir perskaityti nurodymus dėl saugos savo kalba.

LV – BRĪDINĀJUMS

Pirms šī izstrādājuma izsaiņošanas un uzstādīšanas izskatiet 1. pielikumā sniegtās drošības instrukcijas savā valodā.

MT - TWISSIJA

Jekk jogħġbok mur f'appendiċi 1 u aqra l-istruzzjonijiet tas-sigurtà fil-lingwa tiegħek qabel ma toħroġ dan il-prodott mill-ippakkjar u tinstallah.

NL - WAARSCHUWING

Ga naar appendix 1 en lees de veiligheidsinstructies in uw eigen taal, voordat u dit product uitpakt en installeert.

PL - OSTRZEŻENIE

Przed rozpakowaniem i zainstalowaniem tego produktu prosimy o zapoznanie się z Dodatkiem 1 i przeczytanie zaleceń dotyczących bezpieczeństwa w danym języku.

PT - ADVERTÊNCIA

Você deve retornar ao Anexo 1 e ler as instruções de segurança em seu idioma antes de desembalar e instalar este produto.

PH20 installation and user's guide

www.renishaw.com

RO - AVERTISMENT

Înainte de a desface ambalajul și a instala acest produs, vă rugăm să căutați Anexa 1 și să citiți cu atenție instrucțiunile de siguranță, în limba română.

SK - VÝSTRAHA

Pred rozbalením a inštaláciou tohto produktu si pozrite prílohu 1 a prečítajte si bezpečnostné pokyny vo vašom jazyku.

SL - OPOZORILO

Preden izdelek vzamete iz embalaže in ga vgradite, odprite Prilogo 1 in preberite varnostna navodila v svojem jeziku.

SV - VARNING

Gå till bilaga 1 och läs säkerhetsinstruktionerna på ditt eget språk innan du packar upp och installerar denna produkt.

TW - 警告

在拆開和安裝本產品之前，請翻頁至附錄 1 閱讀母語的安全指示。

中文 — 警告

在拆包和安裝本產品之前，請翻到附錄1，閱讀中文版安全說明。

PH20 installation and user's guide

www.renishaw.com

PH20 environmental conditions

	Storage	Operating
Temperature	-25 °C to +70 °C	+10 °C to +40 °C
Humidity	0% to 80% (non-condensing)	0% to 80% (non-condensing)

PH20 installation and user's guide

www.renishaw.com

PH20 references and associated documents

The following Renishaw documents are referred to in this document or may be a source of further relevant information. They can easily be acquired from Renishaw web site www.renishaw.com.

Title	Document number
Technical specifications guide: Styli and accessories	H-1000-3200
Installation guide: UCC T5	H-1000-7573
Installation guide: SPA3-2	H-1000-5364
Installation and user's guide: MCU	H-1000-5182
Installation and user guide: TP20	H-1000-5008

PH20 installation and user's guide

www.renishaw.com

PH20 system description

PH20 is a dynamic measuring head and probe system from Renishaw. It is a revolutionary product designed to maximise measurement throughput whilst maintaining high system accuracy for basic entry level measurement systems.

PH20 incorporates Renishaw's long established TP20 probe system into a revolutionary motorised head system to give unprecedented touch-trigger measurement capability. Unlike conventional touch-trigger measurement methods which rely on increased speed of the CMM's 3 axes to measure quickly, PH20 uses head motion to minimise dynamic errors introduced by machine motion at high measurement speeds.

Key features:

- **Infinite positioning** - not restricted to defined index angles
- **Rapid head touches** - where the CMM is stationary and the head moves and takes a touch point (UCC T5 systems only)
- **Rapid 5-axis moves** - synchronised motion of the head and CMM between measurements

Components

- PH20 head
- TCR20 (module change rack with tip datum artefact)
- TP20 stylus modules (excluding extended force)
- UCC T5 or UCC MT5 PH20 CMM controller kit

Connections

The PH20 head and CMM system are operated through the UCCserver which uses I++DME command protocol to communicate between the system application software and the Renishaw controller. The CMM and PH20 head are controlled by the appropriate Renishaw controller, via its standard connections.

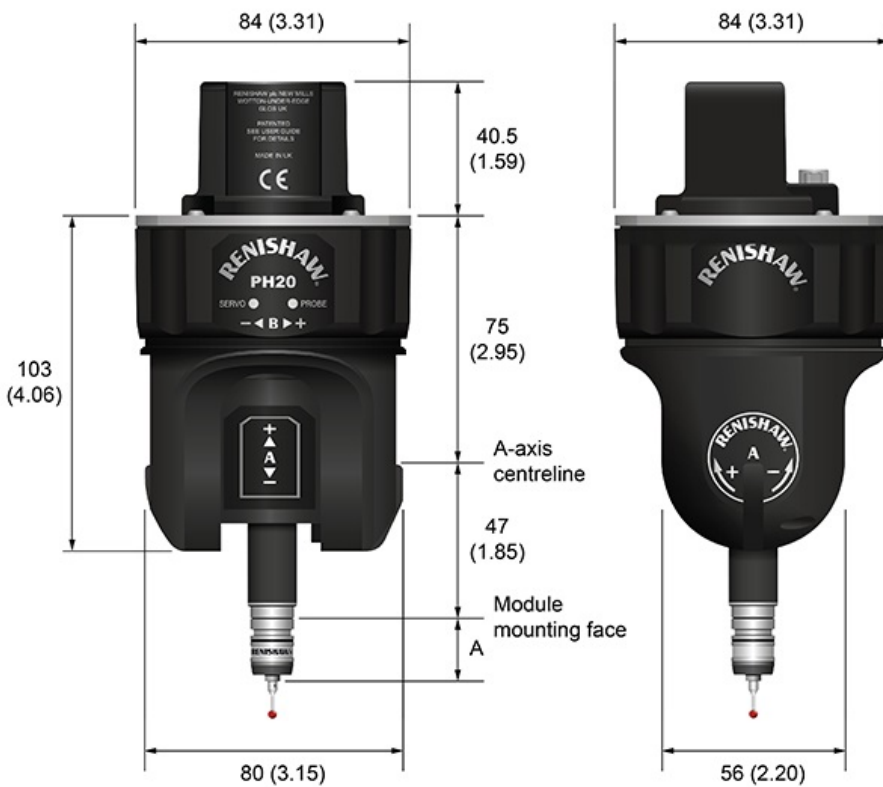
System functionality

The PH20 system is compatible with either the UCC T5 or UCC MT5 controller. Both systems offer infinite positioning and 5-axis motion but rapid head-touch measurement is only possible with a UCC T5 PH20 system.

PH20 installation and user's guide

www.renishaw.com

Specification



	Standard force module	Medium force module	Low force module	6-way module	EM1 module	EM2 module
Dimension A (mm)	21	21	21	25	71	96

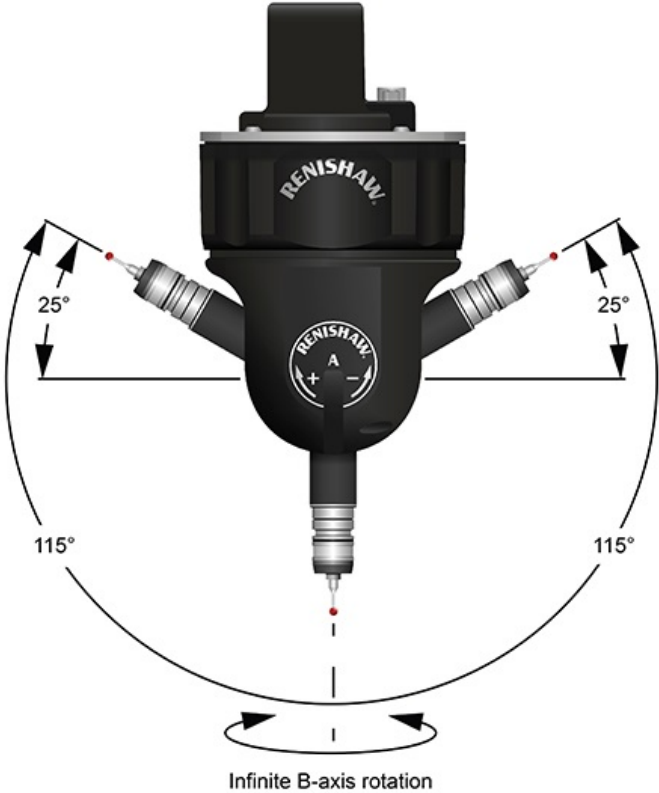
Net weight: 810 g

PH20 head axis range

The PH20 head has two rotary axes (A and B) and is normally mounted on the CMM quill to create a 5-axis measuring system. The PH20 B-axis is mounted on the CMM quill and can rotate continuously in both directions. The A-axis, which is orthogonal to the B-axis, has $\pm 115^\circ$ of travel. The head can only be mounted in the vertical orientation shown below.

PH20 installation and user's guide

www.renishaw.com



TP20 stylus modules

PH20 has an integrated TP20 body that is capable of touch-trigger measurement when used with a suitable stylus module. The probe design utilises the existing range of the TP20 stylus modules, however the TP20 extended force module is not suitable for use on PH20.

PH20 installation and user's guide

www.renishaw.com



Each probe module, which houses the kinematic switching touch sensor mechanism, carries the stylus assembly and provides overtravel in the X, Y and +Z axes (-Z is offered when using the TP20 6-way probe module). Incorporating an M2 stylus mounting, each probe module is compatible with Renishaw's comprehensive range of M2 styli.

Designed to minimise the possibility of probe module misalignment generating a probe 'seated' signal, the probe module is held in position by a magnetically retained, highly repeatable kinematic coupling. Electrical contact pins conduct the probe sense voltage through the coupling.

PH20 installation and user's guide

www.renishaw.com

Trigger force options

The standard force probe module is suitable for most applications (when used with the recommended stylus range), but sometimes the effects of stylus length and mass, combined with machine acceleration and vibration, can cause the probe to false trigger (these are referred to as 'false triggers').

To allow the PH20 to be used on co-ordinate measuring machines where acceleration forces or vibration would otherwise result in spurious triggers, a choice of higher force probe modules is available. A low force probe module is also available for measurement of delicate materials. Refer to the applications guide later in this document for information on how to select the correct probe module for your application.

The type of probe modules supplied with your probe will be clearly marked on each probe module's front ring. The probe modules also carry a colour-coded front cap as follows:

- Low force (LF) probe module (green cap)
- Standard force (SF) probe module (black cap)
- Medium force (MF) probe module (grey cap)
- 6-way (6W) probe module (blue cap)
- Extension module 1 standard force (EM1 STD) (black cap)
- Extension module 2 standard force (EM2 STD) (black cap)



NOTE: The extended force module is not suitable for use with the PH20 system.

TP20 module kits

The following TP20 probe module kits are available from your supplier for use with PH20:

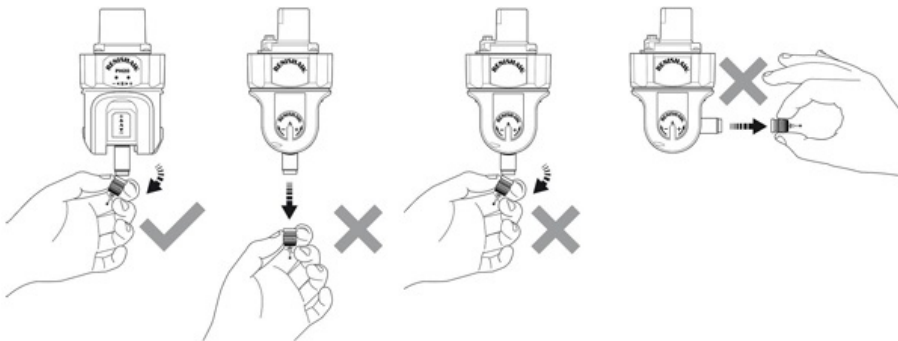
TP20 probe module kit (probe module only)	Part number
Low force probe module	A-1371-0392
Standard force probe module	A-1371-0270
Medium force probe module	A-1371-0271
6-way probe module	A-1371-0419
EM1 STD probe module	A-1371-0430
EM2 STD probe module	A-1371-0431
EM1 STD and EM2 STD probe modules	A-1371-0432

PH20 installation and user's guide

www.renishaw.com

Manually mounting / removing the stylus modules to / from PH20

It is not recommended to manually remove and refit a probe module to PH20. If it is absolutely necessary to manually remove the probe module from PH20 it should only be done in certain orientations. Please see the image below.



To fit the probe module and stylus onto the probe body, carry out the following procedure:

1. Visually examine the mating faces of both the probe module and the probe head for cleanliness; where necessary, clean the mating surfaces using the CK200 cleaning kit (supplied).
2. Align the probe module to the PH20 using the reverse of the method used to remove it manually. Ensure the three alignment marks on both the probe module and probe body are correctly aligned, allow the probe module to engage the probe body under magnetic force.

PH20 installation and user's guide

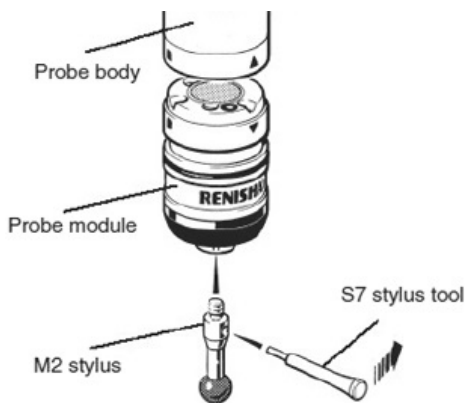
www.renishaw.com

Manually mounting / removing the stylus from the stylus module

To fit a stylus onto the probe module, carry out the following procedure:

i **NOTE:** For advice on both stylus and probe module selection, refer to the applications guide later in this publication.

1. Ensuring that you have selected the correct probe module for your given application (see probe module selection later in this guide), screw the threaded end of your chosen stylus into the M2 stylus mount of the probe module and hand-tighten to secure.
2. Using the type S7 stylus tools provided, or type S20 spanner if fitting a stylus from the Renishaw GF range, fully hand-tighten the stylus into the stylus mount to achieve the recommended tightening torque of between 0.05 Nm and 0.15 Nm (maximum permissible torque is 0.3 Nm).



TCR20 rack kit

The TCR20 rack, which can be easily mounted onto a CMM, is designed to securely hold stored probe modules for automatic changing. TCR20 protects stored probe modules from airborne contaminants that may be present within the working environment and also features an integrated tip datum artefact.



PH20 installation and user's guide

www.renishaw.com

PH20 stylus selection



NOTE: Choosing the best stylus for a given application is an important factor in achieving optimum probe performance. For further information on the full range of Renishaw styli, please refer to Renishaw's styli and accessories brochure (H-1000-3200) which can be ordered from your supplier or downloaded from Renishaw's web site, www.renishaw.com.



When selecting a stylus, it is important that the stylus length is kept to the minimum required to access all features to be measured, and that the stylus type offers the maximum possible stiffness. Factors that affect stiffness are:

- Joints in the styli: these tend to reduce rigidity and should therefore be kept to the absolute minimum
- Stem diameters: that are governed by the ball tip diameter of the stylus
- Stem material: that can be stainless steel, ceramic or graphite fibre

It is also important to ensure that the stylus ball diameter chosen is as large as is practical. This not only ensures that the stylus will be as stiff as possible, but also reduces the stylus's susceptibility to surface form and surface finish.

Owing to the modular construction of the TP20, when selecting and using styli the following criteria should be applied:

- Work only within the recommended stylus limits for each probe module (refer to 'Recommended stylus limits' below)
- Always use the shortest possible stylus
- If using larger styli than those recommended for use with each probe module, always conduct trials to establish the effect on measuring performance
- Minimise the mass of styli by using either ceramic or graphite fibre stems

PH20 installation and user's guide

www.renishaw.com

Recommended stylus limits

Owing to the modular construction of the TP20 probe, it is recommended that the limits shown in the following figures are applied when selecting styli to be used.

The low force probe module

The low force probe module has the following recommended stylus limits:

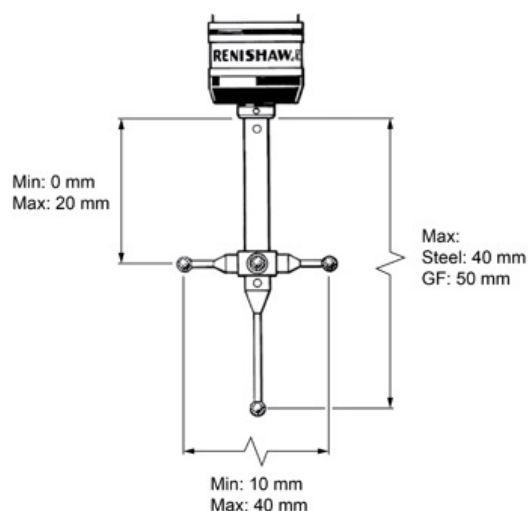
- Steel and carbide styli up to 30 mm long
- No star or cranked styli



The standard force probe modules (SF, EM1 and EM2)

The standard force probe modules (SF, EM1 STD and EM2 STD) can be used with the following range of styli:

- Steel and carbide styli up to 40 mm long
- Renishaw graphite fibre (GF) type styli up to 50 mm long
- Star and cranked styli up to 20 mm offset



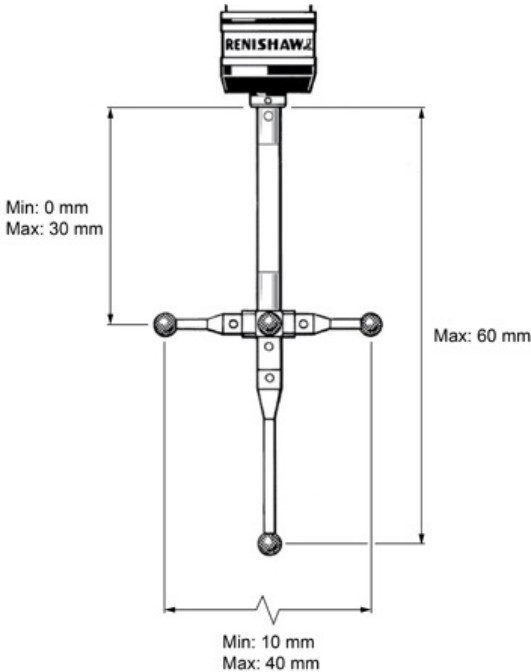
PH20 installation and user's guide

www.renishaw.com

The medium force probe modules

The medium force probe modules have the following recommended stylus limits:

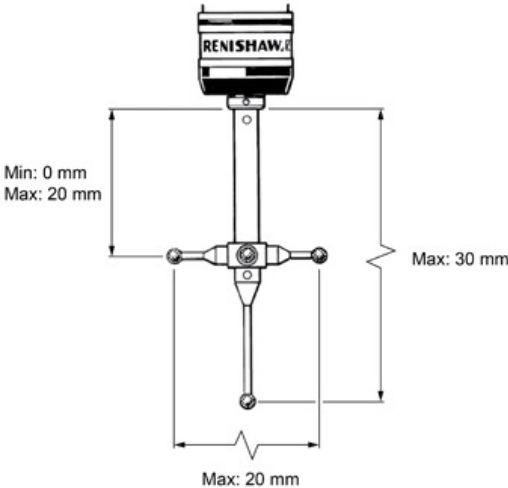
- Any stylus type up to 60 mm long
- Star and cranked styli up to 20 mm offset



The 6-way probe module

The recommended stylus limits for the 6-way probe module are:

- Any stylus type up to 30 mm long
- Star and cranked styli up to 10 mm offset

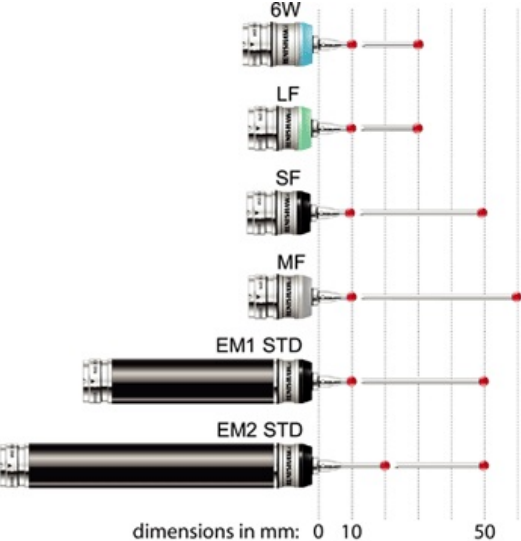


PH20 installation and user's guide

www.renishaw.com

Comparative stylus lengths

A comparison of the minimum and maximum stylus lengths for use with each probe module is shown below:



PH20 installation and user's guide

www.renishaw.com

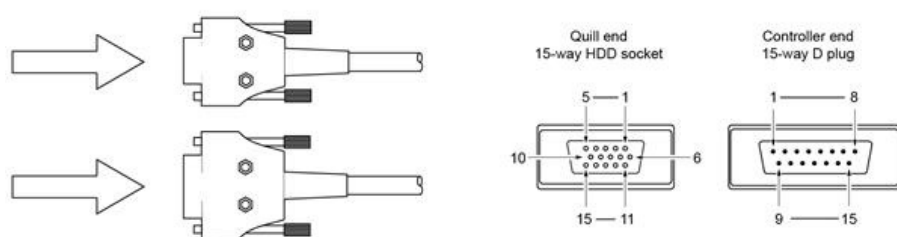
System installation

Cable connections

The cable connection to the head uses a standard 15-way high-density D connector. The cable should be connected and terminated as detailed below. It is mandatory that the Renishaw universal machine cable is used.

Various lengths of cable are available and include pre-terminated options for ease of installation.

The following image shows the pin numbers for each connector end view of the Renishaw universal machine cable.



15-way HDD socket pin number (quill)	Function	Core colour	15-way D plug pin number (controller)
11	Comms D+	Green	1
2	0 V	Black	2
1	Comms U+	Orange	3
7	0 V	White	4
13	Motor B0	Blue	5
3	+20 V	Red	6
4	Motor A2	Grey	7
10	Motor A0	Pink	8
9	0 V	Inner screen *	9
12	Comms D-	Green / black	10
6	Comms U-	Orange / black	11
8	+20 V	Clear	12
14	Motor B1	Violet	13
15	Motor B2	Yellow	14
5	Motor A1	Brown	15
Shell		Outer screen	Shell



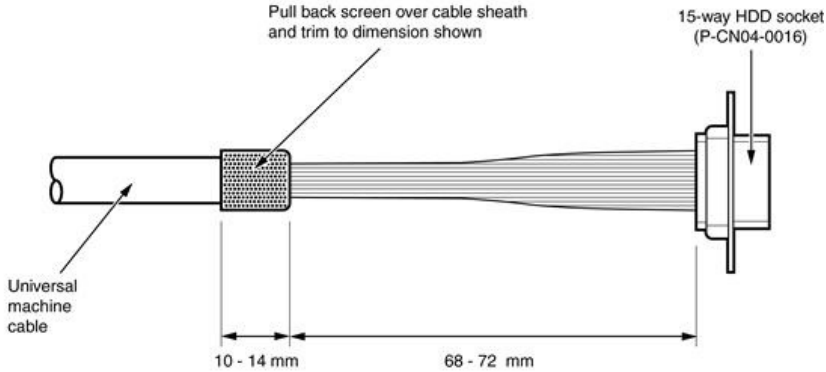
* **NOTE:** In pre-terminated cables this will be yellow / green.

PH20 installation and user's guide

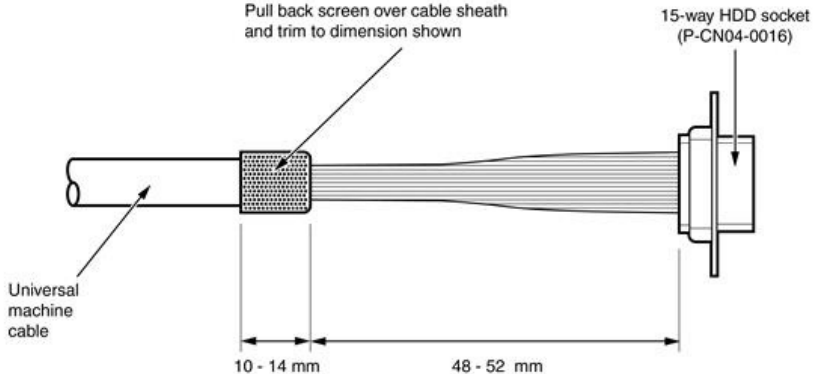
www.renishaw.com

Ensure that the inner screen is not shorted to the outer screen at either end of the cable. A short can be prevented by using a small piece of heatshrink or other suitable method.

Preparation of Renishaw universal machine cable for quill mounted systems



Preparation of Renishaw universal machine cable for shank mounted systems



PH20 installation and user's guide

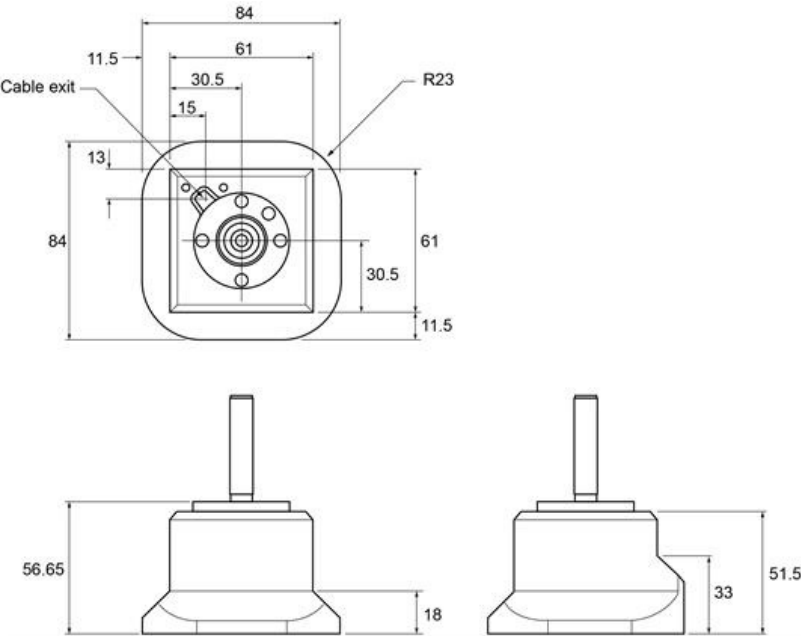
www.renishaw.com

Mounting

The following illustrations show the range of mounting adaptors that have been developed for use with PH20. Other variants can be manufactured on request, please contact Renishaw for further information.

Shank mounting adaptor

The PH20 can be mounted to a CMM using the standard range of CMM shanks. The shank mounting adaptor enables the standard range of CMM shanks to be easily fitted to the PH20.



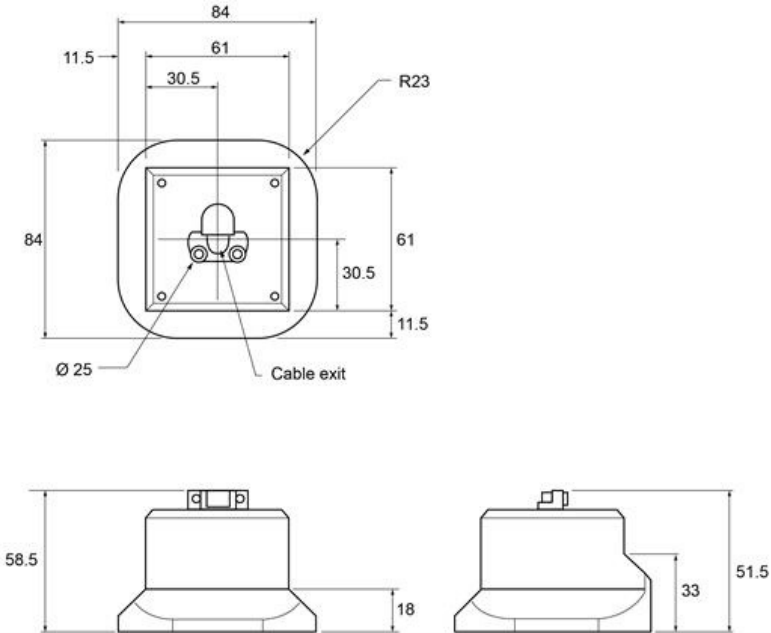
PH20 installation and user's guide

www.renishaw.com

Small quill (60 mm square)

This adaptor is designed to allow you to drill the required hole for mounting to your CMM quill yourself. If provided with this information we can create and supply a pre-drilled version of this to meet your requirements.

The head cable comes out of the top of the quill adaptor.



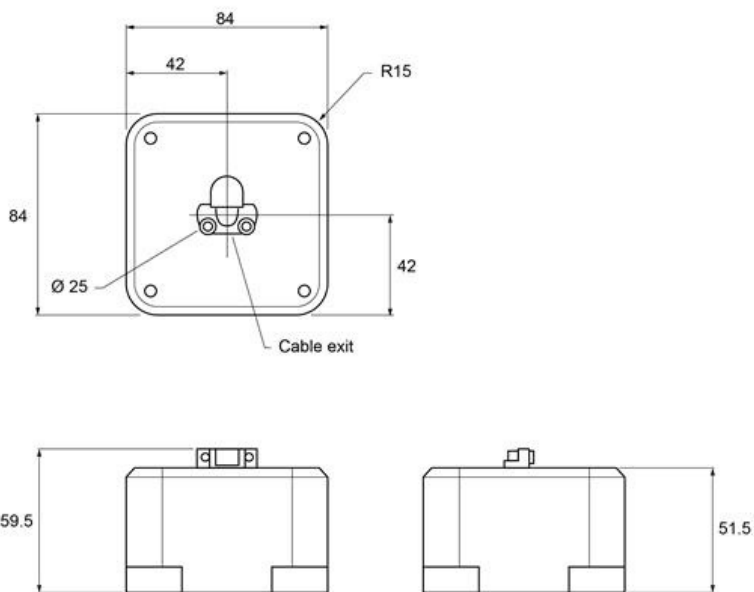
PH20 installation and user's guide

www.renishaw.com

Large quill (80 mm square)

This adaptor is designed to allow you to drill the required hole for mounting to your CMM quill yourself. If provided with this information we can create and supply a pre-drilled version of this to meet your requirements.

The head cable exits from the top of the quill adaptor.

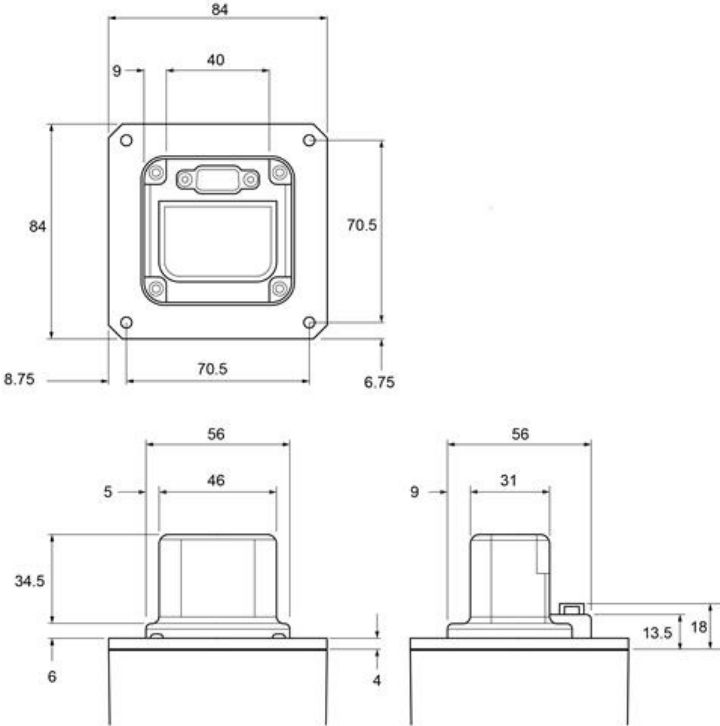


PH20 installation and user's guide

www.renishaw.com

PH10MQ PLUS adaptor

The PH10MQ PLUS adaptor for PH20 allows the PH20 to be fitted to any machine that currently features a PH10MQ PLUS.



PH20 installation and user's guide

www.renishaw.com

Fitting PH20 to CMM quill



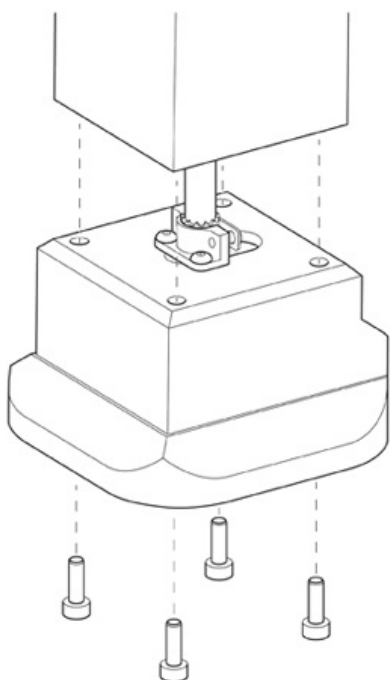
CAUTION: The PH20 head must be mounted so that the LEDs on the front of the head are facing towards the negative Y-axis of the CMM.

1. Lower the CMM quill to a position where the head can be fitted.



NOTE: It is recommended that the PH20 box is put under the quill and covered with something soft in order to minimise any damage should the PH20 be accidentally dropped during fitment to the quill.

2. Route the cable through the appropriate quill adaptor and clamp cable screen in place.
3. Fit the adaptor to the quill of the machine.

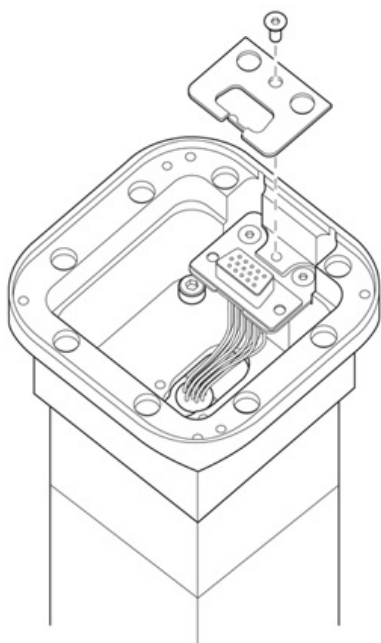


Depending upon the type of PH20 quill adaptor being used, it may be necessary to fit the PH20 to the quill adaptor before fitting it to the CMM.

4. Secure the D-type connector between the two plates in the side of the quill adaptor using the screw provided.

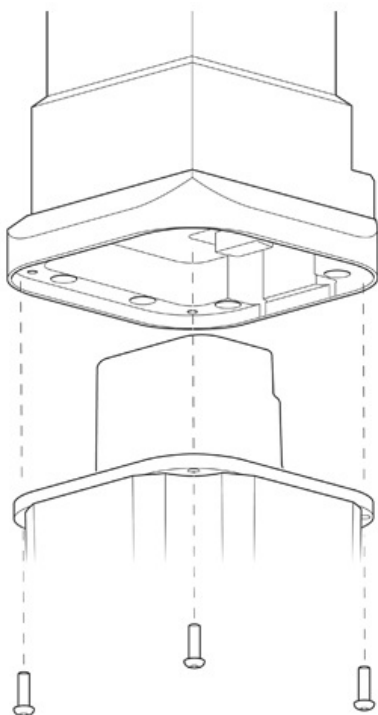
PH20 installation and user's guide

www.renishaw.com



5. Push the head onto the quill adaptor ensuring that the connectors mate correctly.

6. Secure in place with the appropriate fixing screws.



PH20 installation and user's guide

www.renishaw.com

Head comms signal booster box installation

When using the Renishaw high-speed communications cable (orange cable) with Renishaw's 5-axis products, the maximum permissible cable length is 25 m. Where runs of greater than 25 m are needed between the machine controller and probe head, a head comms signal booster (HCSB) must be inserted. One HCSB is required for each additional 25 m of cable run.

The HCSB is powered from the machine cable so does not require an additional power supply. It simply connects between two machine cables as shown in the diagram below and can be attached to a suitable part of the machine structure if required.

Dimensions (L × W × H)	91 mm × 64 mm × 32 mm
Net weight	161 g
Power supply	20 Vdc supplied via machine cable
Connectors	15-way high-density 'D' type plug connects to cable from controller 15-way 'D' type socket connects to cable from head



PH20 installation and user's guide

www.renishaw.com

PH20 UCC license key

PH20 has its own unique license key for the UCC controller. Prior to commencing the installation sequence, the PH20 UCC license key must be activated by following the instructions on leaflet H-1000-1244 that is included within the PH20 UCC kit.

PH20 initialisation and commissioning sequence

The PH20 system should be commissioned using Renishaw's UCCassist-2 software. PH20 specific sequences have been created for the commissioning of the head.

The PH20 will be shipped with installation parameters stored inside the head. These parameters (hed files) are unique to the PH20 they are shipped with. If the hed file is lost / deleted, please go to www.renishaw.com/cmmsupport and click on the hed file tab to download. You will need to log in using RPS (you may need to register for this service) and then enter the head serial number to retrieve the correct hed file.

Alternatively contact your local Renishaw office, quoting the head serial number, to obtain a copy of the data file.



NOTE: Please do not modify the hed file stored inside the PH20 head.

PH20 installation and user's guide

www.renishaw.com

PH20 calibration

The PH20 is not supplied with a datum sphere as standard but Renishaw recommends the use of A-1034-0026.



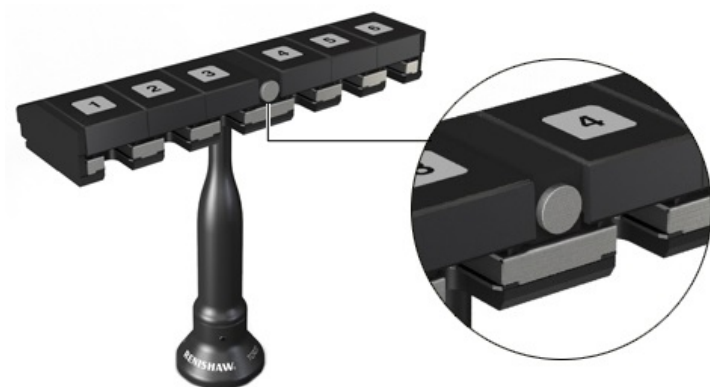
	Minimum clearance required for calibration dimension A (in mm)
Standard force module	102
Medium force module*	102
Low force module*	102
6-way module*	106
EM1 module*	152.5
EM2 module*	177.5

The PH20 must be calibrated using the supplied stylus (A-5004-2182). It is recommended that the TP20 standard force stylus module is used for head calibration.

PH20 installation and user's guide

www.renishaw.com

TCR20



TCR20 is a compact probe module rack for use with PH20 that provides the capability for quick and repeatable tool changing and tip correction.

Based on the industry standard range of MCR20 rack systems, TCR20 securely stores modules for rapid automatic changing, protecting mating surfaces from any airborne contaminants within the working envelope of the machine.

TCR20 carries the full range of TP20 modules for use with a PH20 system and can accommodate a range of module and stylus combinations.

TCR20 features an integrated tip datum artefact in the centre of the rack assembly, reducing cycle time when measuring and performing the tip correct procedure.

Tip correction is key when the absolute highest level of accuracy is required for certain applications. It compensates for any residual variations after a tool change, maintaining a market leading level of accuracy from PH20.

TCR20 alignment and change routine

The following routines are handled through UCCserver for TCR20:

- Alignment routine
- Put down and pick up routine
- Safe position

PH20 installation and user's guide

www.renishaw.com

Mounting TCR20 onto the CMM

i **NOTE:** To minimise the machine volume lost it is recommended that the TCR20 is mounted as close as possible to the extreme edge of the CMM's operating envelope.

1. Fix the rack base to the CMM bed using the appropriate fixing screw. Depending upon the size of screw required it may be necessary to also use a washer.



2. Fit the TCR20 leg into the base and orientate the rack. Secure the rack in the correct orientation by tightening the three grub screws that are located in the rack base.



PH20 installation and user's guide

www.renishaw.com

Technical data - TCR20

Width	200 mm (7.87 in)
Depth	57 mm (2.24 in)
Base diameter	50 mm (1.97 in)
Port entry velocity	Maximum 800 mm/s
Mounting orientation	Ports in horizontal position only
Tip correct artefact	Centre of rack assembly
Overtravel	None - overtravel in PH20 head
Inhibit range	None - provided by UCC controller

PH20 installation and user's guide

www.renishaw.com

UCC T5



UCC T5 is a controller specifically designed for use with PH20. It manages full control of the head, CMM and probe signals and provides full communication with the CMM's computer. UCC T5 replaces Renishaw's UCC2 and 5-axis daughtercard and features an external power supply. Thermal effect compensation is integrated into UCC T5 and provides support for 16 channels.

UCC T5 must be used in conjunction with a Renishaw SPA3, and setup and commissioning should be completed through Renishaw's UCCassist-2 software. For more information please read the UCC T5 installation guide (Renishaw part number: H-1000-7573) available for download from Renishaw.com.

PH20 installation and user's guide

www.renishaw.com

PH20 troubleshooting

For detailed troubleshooting of the PH20 system please refer to the CMM support knowledgebase (www.renishaw.com/cmmsupport) or contact your local Renishaw office.

PH20 system status indicator LEDs

The head incorporates two LEDs for status indication in various modes, located as illustrated below.



LED	Servo LED	Probe LED
Off	No power (probe LED also off)	Probe triggered or module removed
Green	Servos on	Probe seated
Red	Servos off	Probe inhibited
Flashing red	Power, no comms	n/a
Amber	'Soft engage' mode*	n/a

* The 'Soft engage' is a fault condition where the PH20 head uses a weak motor drive and can be manually rotated to prevent damage.

PH20 installation and user's guide

www.renishaw.com

Head comms signal booster box indicator LEDs




There are three LEDs on the head comms signal booster box that can be used for basic fault indication.

LED	POWER	FROM UCC	FROM HEAD
Off	No system power HCSB not connected to UCC or UCC powered down	No comms from UCC Downloadable isn't running Check cable and system software	No comms from head and / or UCC or downloadable isn't running Check cable and check system software
Green	Normal operation	n/a	n/a
Flashing green	n/a	Comms OK from UCC	Comms OK from head
Flashing red	n/a	Comms error from UCC - check cable to UCC	Comms error from head - check cable to head


PH20 installation and user's guide

www.renishaw.com

PH20 system maintenance

 **CAUTION:** Always adhere to the safety instructions given in this guide (General safety instructions). Failure to do so could adversely affect the performance of the PH20 system and / or lead to personal injury.

General

 **CAUTION:** The PH20 head has no user serviceable parts. In the event of a problem, please contact your local supplier for assistance.

Following the simple maintenance procedures given below will prolong the operational life and continued high performance of the system. The user should determine the frequency of inspection and maintenance actions according to the conditions of use.

The external surfaces of all system components should only be cleaned using a soft, lint free cloth., all parts should be kept dry.

The probe kinematic coupling mechanisms have a precision ball seating and permanent magnets. It is recommended that all these features be cleaned before first use, and thereafter at regular intervals. The frequency of cleaning depends on the local environment conditions, but should be at least every 500 changes.

A cleaning kit is available from your local Renishaw supplier (Renishaw part number A-1085-0016) and comprises of strips of 'yellow tack' material. For cleaning small diameter products such as TP20, it is recommended that the protective film is peeled back from the yellow tack, and the kinematic coupling face of the product is firmly pressed into the material.

Styli

Stylus balls, threads and mating faces should be cleaned using a proprietary cleaning cloth or solvent. Stylus balls should be regularly inspected for damage or 'pick-up' of component material. See Styli and accessories - technical specifications guide (Renishaw part number H-1000-3200).

Appendix 1 - PH10 international safety statements

PH20 installation and user's guide

www.renishaw.com

ВГ - Безопасност



ВНИМАНИЕ: Преди да разопакова и монтира системата PH20, потребителят трябва внимателно да прочете следващите съвети за безопасност и да се увери, че тези инструкции се изпълняват постоянно от всички оператори. Операторите трябва да бъдат обучени за използването и приложението на системата PH20 и свързаните към нея продукти, в контекста на машината към която е монтирана системата, преди да им бъде разрешено използването на тази машина.

Моля, уверете се че разбирате всички съвети за безопасност. Препоръчва се запознаването с компонентите на системата PH20.



ВНИМАНИЕ: В някои от компонентите на системата PH20 и свързаните с нея продукти се използват постоянни магнити. Важно е те да се пазят от елементи, които биха могли да бъдат засегнати от магнитни полета, напр. – системи за запаметяване на данни, водачи, часовници и др.

Експлоатация и поддръжка

Изделието трябва да се използва само с подходящ контролер на Renishaw.

Монтажът на системата PH20 трябва да бъде направен от обучен персонал.

НЕ редактирайте директно нито един от системните файлове, съответният софтуерен пакет за въвеждане в експлоатация трябва да се използва само от обучен персонал.

Преди извършване на всякакви работи по поддръжката се препоръчва да се изключва захранването.

Поддръжката се ограничава до описаните в раздела по поддържа процедури.

PH20 installation and user's guide

www.renishaw.com

Предупреждения

Пазете се от неочаквано движение. Потребителят трябва да остава извън пълния работен обсег на главата на пробника и острието. Доставчикът на машината трябва да се увери, че потребителят е наясно с пълния работен обсег на системата.

Препоръчва се защита на очите във всички приложения, включващи използване на машини или СММ.

Отговорност на доставчика на машината е да гарантира, че на потребителя са обяснени всякакви рискове по време на работа, включително онези, упоменати в документацията на продуктите Renishaw и да гарантира осигуряване на съответни предпазители и безопасителни блокировки.

Вж. инструкциите за работа на доставчика на машината.

Внимавайте, за да избегнете сблъсквания между главата и заготовката, или СММ масата.

УВЕРЕТЕ СЕ, че главата е монтирана възможно най-стабилно върху втулката на СММ.

УВЕРЕТЕ СЕ, че при задвижването на главата тя няма да срещне никакви препятствия, преди да зададете смяна на позицията.

НЕ ПРИЛАГАЙТЕ СИЛА към която и да е от подвижните части на главата.

НЕ придвижвайте осите на главата на ръка, когато те са блокирани или разблокирани.

Изделието и компонентите на системата не съдържат детайли, които да се обслужват от потребителя. Не трябва да се правят опити за разглобяване на който и да било детайл на изделието. В случай на проблем се обръщайте към доставчика си за съдействие.

Кабелите трябва да отговарят на спецификациите на Renishaw. Неправилното окабеляване би могло да причини повреда на оборудването.

При определени обстоятелства сигналът от пробника може да посочва фалшиво състояние на опрян пробник. Да не се разчита на сигналите от пробника за спиране движението на машината.

Байпасът на спуська на пробника ще предотврати обратния ход на машината в случай на сблъскване на пробника.

Връзката на пробника е разработена да освободи модула на острието в случай на сблъсък.

Продуктът има двигатели с директно задвижване и възможно най-ниско рисковата реакция при задействането на аварийен стоп е извършването на бързо спиране, следвано от позиция на задържане. По този начин двигателите на главата ще останат под напрежение, дори и ако бутонът за аварийен стоп бъде натиснат.

Главата на PH20 трябва да се транспортира само в доставената от Renishaw опаковка.

Това оборудване не е подходящо за работа в потенциално експлозивна атмосфера.

PH20 installation and user's guide

www.renishaw.com

CZ - Bezpečnost



UPOZORNĚNÍ: Před vybalením a instalací systému PH20 by si měl uživatel pozorně přečíst níže uvedené bezpečnostní pokyny a zajistit, aby je všechny osoby používající systém neustále dodržovaly. Než bude moci obsluha začít pracovat se strojem, ke kterému je připojen systém PH20, je nutné, aby byl vyškolen v oblasti používání tohoto systému a doplňujících produktů v souvislosti s daným strojem.

Ujistěte se, že všem bezpečnostním pokynům zcela rozumíte. Je třeba se důkladně obeznámit se součástmi systému PH20.



UPOZORNĚNÍ: V některých součástech systému PH20 a přidružených produktů jsou použity permanentní magnety. Je nutné je uchovávat mimo dosah předmětů, na které by mohlo nepříznivě působit magnetické pole, jako jsou například systémy pro ukládání dat, kardiostimulátory, hodinky atd.

Provoz a údržba

Výrobek používejte pouze s vhodným řídicím systémem společnosti Renishaw.

Instalaci systému PH20 musí provádět vyškolení pracovníci.

NEPROVÁDĚJTE editaci žádného systémového souboru přímo, příslušný softwarový balíček pro uvedení do provozu by měli používat pouze vyškolení pracovníci.

Doporučuje se odpojit elektrické napájení před prováděním jakýchkoliv operací údržby.

Údržba se omezuje na postupy popsane v kapitole o údržbě.

PH20 installation and user's guide

www.renishaw.com

Výstrahy

Dejte pozor na nečekaný pohyb stroje. Uživatel se musí zdržovat mimo pracovní rozsah stroje, zejména mimo místa pohybu snímací hlavice a doteku. Dodavatel stroje by měl zajistit, aby byl uživatel obeznámen s celým pracovním rozsahem systému.

Při jakékoli práci s obráběcími stroji nebo souřadnicovými měřicími stroji (CMM) je doporučeno používat ochranné brýle.

Povinností dodavatele stroje je informovat uživatele o nebezpečích spojených s provozem i o nebezpečích zmiňovaných v dokumentaci k produktům společnosti Renishaw a zajistit dostatečné ochranné a bezpečnostní systémy.

Přečtěte si provozní pokyny dodavatele příslušného stroje.

Zabraňte kolizím mezi hlavicí a obrobkem nebo stolem souřadnicového měřicího stroje.

ZKONTROLUJTE, že je hlavice v pinole souřadnicového měřicího stroje namontována co nejpevněji.

ZKONTROLUJTE, že se hlavice nalézá mimo dosah všech překážek dříve, než provedete změnu polohy.

NEPOUVEJTE nadměrnou sílu na dn pohybliv části hlavice.

NEPOHYBUJTE ručně osami hlavice, kdy jsou zablokovány nebo odblokovány.

Výrobek a komponenty systému neobsahují žádné součásti, jejichž údržbu by prováděl uživatel. Nepokoušejte se demontovat jakoukoliv část výrobku. Setkáte-li se s problémem, kontaktujte prosím svého dodavatele.

Kabely musí splňovat specifikace společnosti Renishaw. Nesprávná kabeláž může způsobit poškození zařízení.

Za určitých okolností může signál sondy nesprávně označovat klidový stav sondy. Nevyužívejte signály sondy jako hlavní impuls pro zastavování stroje.

Vyřazení sepnutí sondy zabrání zpětnému pohybu stroje v případě kolize sondy.

Spoj sondy je navržen tak, aby uvolnil modul doteku v případě kolize.

Výrobek má motory s přímým pohonem a reakce na nouzové zastavení (E-STOP), která představuje nejnižší riziko, je provést rychlé zastavení bez následné změny polohy. Vlastní motory hlavice zůstanou aktivní, i když dojde ke stisknutí tlačítka E-STOP.

Hlavice PH20 se musí přepravovat v obalu dodaném společností Renishaw.

Toto zařízení není vhodné pro užití v potenciálně výbušném prostředí.

PH20 installation and user's guide

www.renishaw.com

DA - Sikkerhed



FORSIGTIG! Før udpakning og installation af PH20-systemet skal brugeren omhyggeligt læse nedenstående sikkerhedsinstruktioner og sørge for, at de altid bliver fulgt af alle, der betjener probesystemet. Operatørerne skal være uddannet i brugen og anvendelsen af PH20-systemet og de medfølgende produkter i forbindelse med den maskine, det er monteret på, før de får tilladelse til at betjene maskinen.

Sørg for, at du forstår alle sikkerhedsinstruktionerne. Det anbefales at gøre sig bekendt med PH20-systemkomponenterne.



FORSIGTIG! Der anvendes permanente magneter i visse komponenter i PH20-systemet og de tilhørende produkter. Det er vigtigt at holde dem på afstand af komponenter, der kan påvirkes af magnetiske felter, f.eks. datalagringsystemer, pacemakere, ure osv.

Betjening og vedligeholdelse

Produktet må kun anvendes sammen med den relevante Renishaw-styring.

Installation af PH20-systemet skal foretages af uddannet personale.

Rediger IKKE nogen af systemfilerne direkte, uddannet personale kan bruge den relevante softwarepakke til idriftsættelse.

Det anbefales, at afbryde strømmen før udførelse af enhver form for vedligeholdelse.

Vedligeholdelse er begrænset til de procedurer, som er beskrevet i vedligeholdelsesafsnittet.

PH20 installation and user's guide

www.renishaw.com

Advarsler

Pas på uventede bevægelser. Brugeren bør holde sig uden for hele probehovedets og stylus arbejdsområde. Maskinleverandøren bør sikre, at brugeren er bekendt med systemets fulde arbejdsområde.

I alle tilfælde, hvor der anvendes værktøjs- og koordinatmålemaskiner, anbefales det at bære beskyttelsesbriller.

Det er maskinleverandørens ansvar at sikre, at brugeren er bekendt med eventuelle risici i forbindelse med driften, herunder de risici, som er nævnt i Renishaws produktokumentation, og at sikre, at der er tilstrækkelig afskærmning af sikkerhedsblokeringer.

Se maskinleverandørens brugervejledning.

Sørg for at undgå sammenstød mellem hoved og arbejdsemne eller CMM-bord.

SØRG FOR at, hovedet er så solidt monteret som muligt i CMM's hulaksel.

SØRG FOR, at hovedet går fri af alle forhindringer, før anmodning om en positionsændring.

ANVEND IKKE kraft på nogen af hovedets bevægelige dele.

BEVÆG IKKE hovedets akser med håndkraft, når det er låst eller ulåst

Produktets og systemets komponenter indeholder ingen servicerbare dele. Adskillelse af nogen del af produktet bør ikke forsøges. Kontakt leverandøren for at få assistance, hvis der opstår et problem.

Kablerne skal opfylde Renishaw's specifikationer. Forkert kabelføring kan forårsage skade på udstyret.

Under visse omstændigheder kan sondesignalet ved en fejl angive, at sonden står stille. Stol ikke på, at probesignaler vil stoppe maskinens bevægelse.

Tilsidesættelse af probetriggeren forhindrer maskinen i at køre tilbage i tilfælde af probekollision.

Probesamlingen er designet til at frigøre stylusmodulet i tilfælde af sammenstød.

Produktet har motorer med direkte drev, og den mindste risikoreaktion på et E-STOP er at foretage et hurtigt stop efterfulgt af holdeposition. Således forbliver hovedmotorerne aktive, selvom der trykkes på E-STOP-knappen.

PH20 hovedet skal transporteres i Renishaws medfølgende emballage.

Dette udstyr er uegnet til brug i en atmosfære med eksplosionsfare.

PH20 installation and user's guide

www.renishaw.com

DE - Sicherheitshinweise



ACHTUNG: Bitte lesen Sie die folgenden Sicherheitshinweise vor dem Auspacken und Installieren des PH20-Systems sorgfältig durch und sorgen Sie dafür, dass diese von allen Anwendern stets beachtet werden. Vor der Bedienung der Maschine müssen alle Maschinenbediener über Gebrauch und Anwendung des PH20-Systems und der zugehörigen Produkte in Verbindung mit der damit ausgerüsteten Maschine geschult werden.

Achten Sie darauf, dass Sie sämtliche Sicherheitshinweise verstehen. Es wird empfohlen, dass Sie sich mit den Systemkomponenten des PH20-Systems vertraut machen.



ACHTUNG: In einigen Bauteilen des PH20-Systems und einigen zugehörigen Produkten sind Permanentmagneten eingebaut. Wichtig! Halten Sie diese von Geräten fern, die durch Magnetfelder beeinträchtigt werden können, wie z. B. Datenspeicher, Herzschrittmacher, Uhren usw.

Betrieb und Wartung

Das Produkt darf nur mit der entsprechenden Steuerung von Renishaw verwendet werden.

Die Installation des PH20-Systems darf nur von geschultem Fachpersonal ausgeführt werden.

Die Systemdateien dürfen NICHT direkt geändert werden; das entsprechende Softwarepaket zur Inbetriebnahme darf nur von geschultem Personal verwendet werden.

Es wird empfohlen, die Stromversorgung vor der Durchführung jeglicher Wartungsarbeiten, zu unterbrechen.

Die Wartungsarbeiten beschränken sich auf die im Abschnitt "Wartung" beschriebenen Maßnahmen.

PH20 installation and user's guide

www.renishaw.com

Warnhinweise

Vorsicht vor unerwarteten Bewegungen. Der Anwender darf sich nur außerhalb des Messtaster-Arbeitsbereiches aufhalten. Der Maschinenlieferant muss sicherstellen, dass sich der Anwender über den vollen Arbeitsbereich des Systems bewusst ist.

Bei Arbeiten an Koordinatenmessgeräten und Werkzeugmaschinen wird ein Augenschutz empfohlen.

Es obliegt dem Maschinenlieferanten, den Anwender über alle Gefahren, die sich aus dem Betrieb der Ausrüstung, einschließlich der, die in der Renishaw Produktdokumentation erwähnt sind, zu unterrichten und sicherzustellen, dass ausreichende Schutzvorrichtungen und Sicherheitsverriegelungen eingebaut sind.

Beachten Sie auch die Bedienungsanleitung des Maschinenlieferanten.

Vermeiden Sie Kollisionen des Schaltkopfes mit dem Werkstück bzw. dem KMG-Tisch.

Stellen Sie sicher, dass der Dreh-/Schwenkkopf so starr wie möglich an der KMG-Pinole montiert ist.

Stellen Sie sicher, dass sich der Dreh/-Schwenkkopf frei bewegen kann, bevor Sie ihn positionieren.

Die beweglichen Teile des Dreh/-Schwenkkopfes dürfen nicht manuell bewegt werden.

Bewegen Sie die Kopfachsen nicht von Hand, egal, ob diese arretiert oder gelöst sind.

Das Produkt und die Systemkomponenten enthalten keine durch den Anwender wartbaren Teile. Versuchen Sie nicht, einzelne Bauteile des Produkts zu demontieren. Im Falle eines Problems fordern Sie bitte Hilfe bei Ihrem Lieferanten an.

Die Kabel müssen den Spezifikationen von Renishaw entsprechen.

Es kann passieren, dass der Messtaster fälschlicherweise eine Ruhestellung signalisiert. Verlassen Sie sich nicht alleine auf das Messtastersignal, um Maschinenbewegungen zu stoppen.

Die Übersteuerung der Messtasterauslenkung verhindert ein Rücksetzen der Maschine im Falle einer Kollision des Messtasters.

Der Messtasteranschluss ist so konzipiert, dass das Tastereinsatzmodul im Falle eines Zusammenstoßes abgelöst wird.

Das Produkt besitzt Direktantriebsmotoren und die risikoärmste Reaktion auf einen NOTHALT wird durch einen schnellen Stopp gefolgt von einer Halteposition erreicht. Die Kopfmotoren bleiben selbst bei gedrücktem Not-Aus-Schalter spannungsführend.

Der PH20-Kopf darf nur in der von Renishaw gelieferten Verpackung transportiert werden.

Dieses System darf nicht in potenziell explosiver Atmosphäre verwendet werden.

PH20 installation and user's guide

www.renishaw.com

ΕΛ - Ασφάλεια



ΠΡΟΣΟΧΗ: Πριν από την αποσυσκευασία κι εγκατάσταση του συστήματος PH20, ο χρήστης πρέπει να διαβάσει προσεκτικά τις οδηγίες ασφαλείας που ακολουθούν και να διασφαλίσει ότι θα εφαρμόζονται πάντοτε από όλους τους χειριστές του συστήματος. Οι χειριστές πρέπει να είναι εκπαιδευμένοι στη χρήση και εφαρμογή του συστήματος αισθητήρα PH20 και των συνοδευτικών προϊόντων, σε σχέση με το μηχάνημα στο οποίο τοποθετούνται, για να τους επιτραπεί να χρησιμοποιήσουν το συγκεκριμένο μηχάνημα.

Παρακαλούμε βεβαιωθείτε ότι κατανοείτε όλες τις οδηγίες ασφαλείας. Συνιστάται να εξοικειωθείτε με τα μέρη του συστήματος PH20.



ΠΡΟΣΟΧΗ: Σε ορισμένα εξαρτήματα του συστήματος PH20 και των σχετικών προϊόντων χρησιμοποιούνται μόνιμοι μαγνήτες. Είναι σημαντικό να κρατάτε τους μαγνήτες μακριά από στοιχεία που μπορεί να επηρεαστούν από μαγνητικά πεδία, π.χ. συστήματα αποθήκευσης δεδομένων, βηματοδότες, ρολόγια, κ.λπ.

Λειτουργία και συντήρηση

Αυτό το προϊόν πρέπει να χρησιμοποιείται μόνο με τον κατάλληλο Ελεγκτή της Renishaw.

Η εγκατάσταση του συστήματος PH20 πρέπει να διεξάγεται από εκπαιδευμένο προσωπικό.

ΜΗΝ επεξεργάζεστε οποιαδήποτε από τα αρχεία συστήματος απευθείας, το κατάλληλο πακέτο λογισμικού θέσης σε λειτουργία πρέπει να χρησιμοποιείται μόνο από εκπαιδευμένο προσωπικό.

Προτείνεται να απενεργοποιείται η ισχύς προτού διεξαχθούν οποιεσδήποτε εργασίες συντήρησης.

Η συντήρηση περιορίζεται στις διαδικασίες που περιγράφονται στο τμήμα Συντήρησης.

PH20 installation and user's guide

www.renishaw.com

Προειδοποιήσεις

Προσέξτε τις ξαφνικές κινήσεις. Ο χρήστης πρέπει να παραμένει εκτός του χώρου που επηρεάζεται από όλους τους συνδυασμούς λειτουργίας της κεφαλής του αισθητήρα και του επαφέα. Ο προμηθευτής του μηχανήματος πρέπει να εξασφαλίσει ότι ο χρήστης γνωρίζει όλους τους συνδυασμούς λειτουργίας του συστήματος.

Σε όλες τις εφαρμογές που συνεπάγονται τη χρήση εργαλείων μηχανημάτων και εξαρτημάτων CMM, συνιστάται η χρήση συσκευής προστασίας των ματιών.

Αποτελεί ευθύνη του προμηθευτή του μηχανήματος να εξασφαλίσει ότι ο χρήστης είναι ενήμερος για τυχόν κινδύνους που συνεπάγεται η λειτουργία, συμπεριλαμβανομένων όσων αναφέρονται στα εγχειρίδια του προϊόντος της Renishaw. Είναι επίσης ευθύνη του να εξασφαλίσει ότι υπάρχουν τα απαιτούμενα προστατευτικά καλύμματα και οι συνδέσεις ασφαλείας.

Βλέπετε τις οδηγίες λειτουργίας του προμηθευτή του μηχανήματος.

Φροντίζετε να αποφεύγετε συγκρούσεις μεταξύ της κεφαλής και του τεμαχίου ή του πίνακα CMM.

ΕΞΑΣΦΑΛΙΖΕΤΕ ότι η κεφαλή έχει τοποθετηθεί όσο πιο σταθερά γίνεται στο κάλυμμα του CMM.

ΕΞΑΣΦΑΛΙΖΕΤΕ ότι η κεφαλή μετακινείται άνετα χωρίς εμπόδια προτού ζητήσετε μια αλλαγή θέσης.

MHN εφαρμόζετε δύναμη σε οποιαδήποτε κινούμενα τμήματα της κεφαλής.

MHN μετακινείτε τους άξονες κεφαλής με το χέρι όταν είναι κλειδωμένοι ή ξεκλειδωμένοι.

Το προϊόν και τα στοιχεία συστήματος δεν περιέχουν εξαρτήματα τα οποία μπορούν να επισκευαστούν από το χρήστη. Δεν πρέπει να γίνεται καμία απόπειρα αποσυναρμολόγησης οποιουδήποτε τμήματος του προϊόντος. Στην περίπτωση προβλήματος παρακαλούμε επικοινωνήστε με τον προμηθευτή σας για υποστήριξη.

Τα καλώδια πρέπει να πληρούν τις προδιαγραφές της Renishaw. Η εσφαλμένη καλωδίωση θα μπορούσε να προκαλέσει ζημιά στον εξοπλισμό.

Υπό ορισμένες συνθήκες το σήμα του ανιχνευτή μπορεί να υποδεικνύει λανθασμένη ένδειξη τοποθέτησης του ανιχνευτή. Μη βασίζεστε στα σήματα ανιχνευτή για τη διακοπή της κίνησης του μηχανήματος.

Η παράκαμψη της ενεργοποίησης αισθητήρα θα εμποδίσει τη μηχανή από το να αποσυρθεί σε περίπτωση σύγκρουσης του αισθητήρα.

Ο σύνδεσμος αισθητήρα έχει σχεδιαστεί για την αποδέσμευση του επαφέα στην περίπτωση σύγκρουσης.

Το προϊόν έχει κινητήρες απευθείας μετάδοσης κίνησης και η χαμηλότερη αντίδραση κινδύνου σε ένα E-STOP είναι η διεξαγωγή ενός γρήγορου σταματήματος που ακολουθείται από ακινητοποίηση σε μια θέση. Συνεπώς, οι κινητήρες κεφαλής θα παραμείνουν σε λειτουργία, ακόμα και εάν πιεστεί το κουμπί E-STOP.

Η κεφαλή PH20 πρέπει να μεταφέρεται σε συσκευασία που παρέχεται από την Renishaw.

Η συσκευή αυτή δεν πρέπει να χρησιμοποιείται σε περιβάλλον με δυνητικά εκρηκτική ατμόσφαιρα.

PH20 installation and user's guide

www.renishaw.com

EN - Safety



CAUTION: Before unpacking and installing the PH20 system, the user should carefully read the safety instructions below and ensure that they are followed at all times by all operators. Operators must be trained in the use and application of the PH20 system and accompanying products, in the context of the machine it is fitted to, before being allowed to operate that machine.

Please ensure that you understand all safety instructions. Familiarisation with the PH20 system components is recommended.



CAUTION: Permanent magnets are used in some components of the PH20 system and associated products. It is important to keep them away from items which may be affected by magnetic fields, e.g. data storage systems, pacemakers and watches etc.

Operation and maintenance

The product is only to be used with the appropriate Renishaw controller.

Installation of the PH20 system must be performed by trained personnel.

DO NOT edit any of the system files directly, the appropriate commissioning software package should only be used by trained personnel.

It is recommended that the power is removed before performing any maintenance operations.

Maintenance is restricted to procedures described in the maintenance section.

Warnings

Beware of unexpected movement. The user should remain outside of the full working envelope of probe head and stylus. The machine supplier should ensure the user is aware of the full working envelope of the system.

In all applications involving the use of machine tools or CMMs, eye protection is recommended.

It is the machine supplier's responsibility to ensure that the user is made aware of any hazards involved in operation, including those mentioned in Renishaw product documentation, and to ensure that adequate guards and safety interlocks are provided.

Refer to the machine supplier's operating instructions.

Take care to avoid collisions between the head and workpiece or CMM table.

DO ensure that the head is mounted as rigidly as possible in the CMM's quill.

DO ensure that the head is moved clear of any obstruction before requesting a position change.

DO NOT apply force to any moving parts of the head.

DO NOT move the head axes by hand when locked or unlocked.

The product and the system components contain no user serviceable parts. No attempt should be made to disassemble any part of the product. In the event of a problem please contact your supplier for assistance.

The cables must meet Renishaw specifications. Incorrect cabling could cause damage to the equipment.

PH20 installation and user's guide

www.renishaw.com

Under certain circumstances the probe signal may falsely indicate a probe-seated condition. Do not rely on probe signals to stop machine movement.

Probe trigger override will prevent machine backing off in the event of a probe collision.

The probe joint is designed to release the stylus module in the event of a crash.

The product has direct drive motors and the lowest risk reaction to an E-STOP is to perform a fast stop followed by holding position. As such, the head motors will remain live, even if the E-STOP button is depressed

The PH20 head must be transported in Renishaw supplied packaging.

This equipment is not suitable for use in a potentially explosive atmosphere.

PH20 installation and user's guide

www.renishaw.com

ES - Seguridad



PRECAUCIÓN: Antes de desempaquetar e instalar el sistema PH20, lea atentamente las instrucciones de seguridad siguientes y asegúrese de que son cumplidas en todo momento por los operarios. Los operarios deben recibir formación sobre el uso y la aplicación del sistema PH20 y sus accesorios, en el contexto en el que se ajusta la máquina, antes de poder utilizarla.

Lea atentamente todas las instrucciones de seguridad hasta que no tenga ninguna duda. Se recomienda familiarizarse con los componentes del sistema PH20.



PRECAUCIÓN: Algunos componentes del sistema PH20 y sus accesorios utilizan imanes permanentes. Es muy importante mantenerlos alejados de otros elementos que puedan verse afectados por los campos magnéticos, por ejemplo, sistemas de almacenamiento de datos, marcapasos, relojes, etc.

Funcionamiento y mantenimiento

El producto sólo debe utilizarse con el control de Renishaw.

El sistema PH20 debe ser instalado por personal experto.

NO modifique directamente los archivos del sistema, el personal experto utilizará el paquete de software y puesta en funcionamiento del sistema.

Se recomienda desconectar la alimentación antes de realizar cualquier operación de mantenimiento.

El mantenimiento se limita a los procedimientos descritos en la sección de mantenimiento.

PH20 installation and user's guide

www.renishaw.com

Advertencias

Preste atención a los movimientos imprevistos. El operario debe quedarse fuera del grupo operativo completo compuesto por el cabezal de la sonda y el palpador. El distribuidor de la máquina debe asegurarse de que el operario conoce el entorno operativo completo de la máquina.

Se recomienda usar gafas de protección en todas las aplicaciones que implican el uso de Máquinas-Herramientas y máquinas de medición de coordenadas.

Es responsabilidad del proveedor de la máquina garantizar que el usuario sea informado sobre los peligros relacionados con el funcionamiento, incluidos los peligros mencionados en la documentación de los productos Renishaw, y garantizar que se suministran los dispositivos de protección y seguridad adecuados.

Remitirse a las instrucciones de manejo del proveedor de la máquina.

Evite colisiones entre el cabezal y la pieza de trabajo o la mesa de la MMC.

ASEGÚRESE de que el cabezal está montado lo más rígidamente posible en el soporte de la MMC.

ASEGÚRESE de que el cabezal está libre de obstrucciones antes de solicitar un cambio de posición.

NO aplique ninguna fuerza sobre las partes móviles del cabezal.

NO mueva los ejes del cabezal manualmente para bloquearlo o desbloquearlo.

Los componentes del sistema no contienen piezas que requieran mantenimiento del operario. No intente desmontar ninguna pieza del producto. En caso de problemas, solicite asistencia a su distribuidor.

Los cables deben cumplir las especificaciones de Renishaw. Un cableado incorrecto puede provocar daños al equipo.

En determinadas circunstancias, la señal de la sonda puede indicar erróneamente que la sonda está asentada. No confíe en las señales de la sonda para detener la máquina.

La anulación del disparo de la sonda evita que la máquina retroceda en caso de colisión de la sonda.

Las juntas de la sonda están diseñadas para liberar la sonda o el soporte del palpador en caso de colisión.

El producto está equipado con motores, por lo que la reacción más segura ante un E-STOP es realizar una parada rápida seguida de una posición de estado de espera. Por tanto, los motores del cabezal permanecen en espera, incluso después de pulsar el botón E-STOP.

El cabezal del PH20 debe transportarse en el embalaje original de Renishaw.

Este equipo no está preparado para usarse en una atmósfera con riesgo de explosión.

PH20 installation and user's guide

www.renishaw.com

ET - Ohutus



ETTEVAATUST! Kasutaja peab enne PH20-süsteemi lahtipakkimist ja paigaldamist lugema hoolikalt alltoodud ohutusjuhiseid ja tagama, et kõik operaatorid jälgiksid neid kogu aeg. Operaatorid peavad saama PH20-süsteemi ning sellega kaasnevate toodete kasutamise ja rakendamise alase koolituse enne, kui tohivad asuda tööle masinaga, kuhu vastav süsteem on paigaldatud.

Palun veenduge, et mõistate kogu ohutusjuhendit. Soovitav on tutvuda PH20-süsteemi komponentidega.



ETTEVAATUST! PH20-süsteemi ja sellega seotud toodete mõnel komponendil kasutatakse püsिमagneteid. Need tuleb hoida eemal detailidest, mida võib mõjutada magnetväli, nt andmesalvestussüsteemid, südamestimulaatorid, kellad jne.

Käitamine ja hooldus

Seda toodet võib kasutada ainult koos asjakohase Renishaw' kontrolleriiga.

PH20-süsteemi peavad paigaldama kvalifitseeritud töötajad.

ÄRGE muutke otse ühtegi süsteemifaili, asjakohast käikuandmise tarkvarapaketti võivad kasutada ainult kvalifitseeritud töötajad.

Soovitatav on enne mis tahes hooldustööde tegemist toide katkestada.

Hoolduse käigus on lubatud teha ainult osas „Hooldus“ kirjeldatud toiminguid.

PH20 installation and user's guide

www.renishaw.com

Hoiatused

Olge ettevaatlik ootamatute liikumiste suhtes. Kasutaja peab jääma väljapoole kogu sondi pea ja nõela kombineeritud tööpiirkonda. Seadme tarnija peab tagama, et kasutaja oleks teadlik süsteemi kombineeritud tööpiirkonna ulatuses.

Kõikide rakenduste puhul, mis kasutavad tööpinke või koordinaatmõõtemasinaid, on soovitatav kasutada silmakaitseid.

Masina tarnija vastutus on tagada, et kasutajat teavitataks masina tööga kaasnevatest ohtudest, kaasa arvatud need ohud, mida on mainitud Renishaw' toote dokumentides, ning samuti tagada, et masinaga oleksid kaasas õiged kaitsepiirded ja turvalukud.

Täpsemad juhised on toodud masina tarnija kasutusjuhendis.

Vältige kokkupõrget pea ja töödeldava detaili või koordinaatmõõtemasina lauaga.

TAGAGE, et pea oleks koordinaatmõõtemasina õõnesvõlli külge kinnitatud võimalikult jäigalt.

TAGAGE, et pea viidaks enne positsioonimuutuse nõuet eemale kõigist võimalikest takistustest.

ÄRGE rakendage jõudu ühelegi pea liikuvale osale.

ÄRGE liigutage pea telgi käsitsi lukustatud või lukust vabastatud olekus.

Toode ja süsteemikomponendid ei sisalda kasutaja poolt hooldatavaid osi. Mitte ühtegi toote osa ei tohi lahti võtta. Probleemi korral võtke palun abi saamiseks ühendust oma tarnijaga.

Kaablid peavad vastama Renishaw' tehnilistele tingimustele. Vale kaabeldus võib seadmestikku kahjustada.

Teatud tingimustel võib sondi signaal viidata valesti sondiga seotud olukorrale. Ärge lootke masina liikumise peatamiseks sondi signaalile.

Sondi päästiku alistus takistab masina tagasitõmbumist sondi pörkimisel.

Sondi liigendid on loodud selliselt, et nad vabastaksid kokkupõrke korral nõelamooduli.

Tootel on otsemootorajamid ning väikseima riskiga reageerimine E-STOPile on teha kiire peatamine ja seejärel hoida asendit. Sellisel juhul jäävad peamootorid tööle isegi E-STOPi nupu vajutamisel

PH20 pead tohib transportida ainult Renishaw' pakendites.

Neid seadmeid ei tohi kasutada plahvatusohtlikus keskkonnas.

PH20 installation and user's guide

www.renishaw.com

FI - Turvallisuutta



VAROITUS: Ennen PH20-järjestelmän paketin avaamista ja laitteen asentamista tulee omistajan lukea turvallisuusohjeet huolellisesti ja varmistua siitä, että kaikki käyttäjät noudattavat niitä aina. Ennen kuin käyttäjille annetaan lupa käyttää laitetta, heidät on opastettava käyttämään ja soveltamaan PH20-järjestelmää ja siihen liittyviä tuotteita.

Varmista, että ymmärrät kaikki turvallisuusohjeet. On suositeltavaa perehtyä PH20-järjestelmän osiin.



VAROITUS: Joissakin PH20-järjestelmän ja siihen liittyvien tuotteiden komponenteissa käytetään kestopagneetteja. On tärkeää, ettei kestopagneettien lähelle viedä tuotteita, jotka saattavat reagoida magneettikenttiin, kuten esim. tiedontallennusvälineitä, tahdistimia, kelloja jne.

Käyttö ja huolto

Tuotetta saa käyttää vain Renishaw-ohjaimen kanssa.

PH20-järjestelmän saa asentaa vain koulutettu henkilö.

ÄLÄ muokkaa mitään järjestelmätiedostoja suoraan. Vain koulutettu henkilö voi käyttää asiaankuuluvaa käyttöönnoton ohjelmistopakettia.

Suosittelemme virransyötön katkaisemista ennen huoltotöiden suorittamista.

Huoltotoimenpiteet rajoittuvat vain huoltoa koskevassa kappaleessa esitettyihin tehtäviin.

PH20 installation and user's guide

www.renishaw.com

Varoitukset

Varo odottamatonta liikettä. Käyttäjän tulee pysytellä täysin anturin pään ja mittakärjen liikealueen ulkopuolella. Koneen toimittajan on varmistettava, että käyttäjä tuntee järjestelmän liikealueen.

Silmänsuojainten käyttö on suositeltavaa kaikkia työstökoneita ja koordinoituja mittauskoneita (CMM) käytettäessä.

Koneen toimittajan vastuulla on että käyttäjä on saanut tiedon mahdollisista käyttöön liittyvistä vaaroista, mukaan lukien Renishaw'n tuoteselosteessa mainitut vaarat. Kone-toimittajan tulee myös varmistaa, että suojukset ja turvalukitukset ovat riittävät.

Katso koneen toimittajan käyttöohjeita.

Ole varovainen ja vältä törmäyksiä mittapään ja työkappaleen tai CNN-pöydän kanssa.

VARMISTA, että mittapää on kiinnitetty CMM-pinooliin mahdollisimman tukevasti.

VARMISTA, että mittapää on vapaa kaikista esteistä ennen sijaintipaikan vaihdon toteutusta.

ÄLÄ liikuta mittapään liikkuvia osia voimakeinoin.

ÄLÄ liikuta käsin mittapään akseleita, kun ne ovat lukittuina tai vapautettuina.

Tuotteen ja järjestelmän komponentit eivät sisällä käyttäjän huollettavia osia. Mitään tuotteen osia ei saa yrittää purkaa. Ongelmatapauksissa ota yhteys järjestelmän toimittajaan ohjeita varten.

Kaapeleiden tulee täyttää Renishaw'n vaatimukset. Virheellinen kaapelointi voi aiheuttaa laitevahinkoja.

Tietyissä olosuhteissa anturilta tuleva signaali saattaa virheellisesti osoittaa, että anturi on paikallaan. Älä luota koneen pysähtyvän probin signaaleista.

Anturin laukaisun ohitus estää konetta perääntymästä anturin törmätessä kohteeseen.

Skannerin liitos on suunniteltu niin, että se vapauttaa kärjen törmäyksen tapahtuessa.

Tuotteessa on suorakäyttömoottorit ja pienin riskivaikutus HÄTÄSEIS-pysäytykselle esiintyy silloin, kun käyttö pysäytetään nopeasti ja sen jälkeen paikoitusasema pidätetään. Tällöin mittapään moottorit pysyvät käynnissä, vaikka HÄTÄSEIS-painiketta painettaisiin.

PH20-mittapäätä saa kuljettaa vain Renishaw'n toimittamassa pakkauksessa.

Näitä laitteita ei saa käyttää räjähdysalttiissa tilassa.

PH20 installation and user's guide

www.renishaw.com

FR - Sécurité



ATTENTION: Avant de déballer et d'installer le système PH20, l'utilisateur doit lire attentivement les instructions de sécurité suivantes et faire en sorte qu'elles soient respectées en permanence par tous les opérateurs. Avant d'être autorisés à utiliser cette machine, les opérateurs doivent être formés à l'usage et aux applications du système PH20 et des produits qui l'accompagnent et ce, dans le contexte de la machine où ce système est installé.

Assurez-vous d'avoir compris toutes les instructions de sécurité. Nous vous recommandons aussi de vous familiariser avec les composants du système PH20.



ATTENTION: Des aimants permanents sont utilisés dans certains composants du système PH20 et dans ses produits associés. Il faut impérativement les tenir à distance des objets susceptibles d'être affectés par les champs magnétiques tels que les systèmes de stockage de données, stimulateurs cardiaques, montres-bracelets, etc.

Fonctionnement et maintenance

Utiliser le produit uniquement avec le contrôleur Renishaw approprié.

L'installation du système PH20 doit être réalisée par du personnel qualifié.

NE PAS MODIFIER directement aucun fichier système. Le logiciel de mise en service approprié ne doit être utilisé que par du personnel formé.

Il est conseillé de couper l'alimentation avant d'effectuer toute opération d'entretien.

L'entretien se limite aux procédures décrites dans la section Entretien.

PH20 installation and user's guide

www.renishaw.com

Avertissements

Attention aux mouvements brusques. L'utilisateur doit toujours rester en dehors de la zone de sécurité de la tête de palpation et du stylet. Le fournisseur de la machine doit s'assurer que l'utilisateur a pris connaissance des mesures de sécurité liées à l'utilisation du système.

Le port de lunettes de protection est recommandé pour toute application sur machine-outil et MMT.

Il incombe au fournisseur de la machine de veiller, d'une part, à ce que l'utilisateur prenne connaissance des dangers d'exploitation, y compris ceux décrits dans la documentation du produit Renishaw et, d'autre part, à ce que des protections et verrouillages de sûreté adéquats soient prévus.

Consultez le mode d'emploi du fournisseur de la machine.

Faites en sorte d'éviter les collisions entre la tête et la pièce ou la table de la MMT.

La tête DOIT être montée le plus rigidement possible sur le coulisseau de la MMT.

La tête doit être éloignée de toute obstruction avant de demander un changement de position.

NE PAS appliquer de force ou contrainte à l'un des éléments constituant la tête.

NE PAS déplacer manuellement les axes de la tête quand elle est verrouillée ou déverrouillée.

Le produit et les composants du système ne contiennent aucune pièce pouvant être réparée par l'utilisateur. N'essayez pas de démonter une partie du produit quelle qu'elle soit. En cas de problème, contactez le fournisseur pour lui demander de l'aide.

Les câbles doivent répondre aux spécifications Renishaw. Un câblage incorrect peut entraîner des détériorations de l'équipement.

Il peut arriver dans certains cas que le signal du palpeur indique à tort son état "au repos". Il ne faut pas se fier aux signaux venant du palpeur car ils ne garantissent pas toujours l'arrêt de la machine.

Une commande d'inhibition de déclenchement du palpeur empêchera le recul de la machine en cas de collision avec le palpeur.

Le mode de fixation du module porte stylet est conçu pour se détacher en cas de collision.

Le produit comporte des moteurs à prise directe et la réaction suite à un arrêt d'urgence (E-STOP) est d'effectuer un arrêt rapide suivi d'une position de maintien verrouillée. Les moteurs de tête restent actifs, même si on appuie sur le bouton E-STOP.

La tête PH20 doit être transportée dans l'emballage fourni par Renishaw.

Cet équipement ne convient pas à un usage en atmosphère explosive.

PH20 installation and user's guide

www.renishaw.com

GA - Sábháilteacht



RABHADH: Ba chóir don úsáideoir na treoracha sábháilteachta thíos a léamh go cúramach sula ndéantar an córas PH20 a dhíphacáil agus a shuiteáil, agus a chinntiú go leanann gach oibreoir iad i gcónaí. Ní mór oiliúint a bheith ag oibreoirí maidir le húsáid agus feidhmiú an chórais PH20 agus na táirgí atá ag dul leis i gcomhthéacs an innill ar a bhfuil sé feistithe, sula gceadaítear dóibh an t-inneall sin a úsáid.

Cinntigh le do thoil go dtuigeann tú na treoracha sábháilteachta go léir. Moltar eolas a bheith agat ar chomhpháirteanna an chórais PH20.



RABHADH: Úsáidtear buanmhaighnéid i gcuid de chomhpháirteanna an chórais PH20 agus sna táirgí a théann leis. Tá sé tábhachtach iad a choinneáil amach ó earraí mar chórais stórála sonraí, séadairí, uaireadóirí agus araile a d'fheadfadh réimsí maighnéadacha dul i gcion orthu.

Oibriúchán agus cothabháil

Níor chóir an táirge a úsáid ach leis an rialaitheoir iomchuí Renishaw.

Ní mór suiteáil an chórais PH20 a bheith déanta ag pearsanra oilte.

NÁ déan eagarthóireacht díreach ar aon chomhad córais, ba chóir do phearsanra oilte amháin an pacáiste bogearraí coimisiúnaithe iomchuí a úsáid.

Moltar an chumhacht a bhaint sula ndéantar aon oibriúchán cothabhála.

Níor chóir aon chothabháil a dhéanamh nach ndéantar cur síos uirthi sa chuid a bhaineann le cothabháil.

PH20 installation and user's guide

www.renishaw.com

Rabhaidh

Fainic an chorroil gan choinne. Ba chóir don oibreoir fanacht glan amach ó réimse iomlán oibre cheann an tóireadóira agus an stílis. Ba chóir don soláthraí a chinntiú go bhfuil an t-úsáideoir ar an eolas faoi imchúlúdach iomlán oibre an chórais.

Moltar cosaint do na súile i ngach aon fheidhmiú lena mbaineann úsáid uirlisí meaisín nó CMM.

Is í freagracht sholáthraí an mheaisín í chun a chinntiú go gcuirtear an t-úsáideoir ar an eolas i leith aon ghuaiseacha a bhaineann leis an oibriúchán, lena n-áirítear iad siúd a luaitear i gcáipéisíocht táirge Renishaw, agus chun a chinntiú go soláthraítear sciatha cosanta agus idirghlais sábháilteachta leordhóthanacha.

Déan tagairt do threoracha oibriúcháin sholáthraí an mheaisín féin.

Féachaint chuige nach ndéantar imbhuailtí idir an ceann agus an saotharphíosa nó bord CMM.

ÁIRITHIGH go bhfuil an ceann suite chomh docht agus is féidir i gcleite an CMM.

ÁIRITHIGH go mbogtar an ceann amach ó aon bhacainn sula n-iarrtar athrú suímh.

NÁ cuir brú ar aon chuid soghluaiste an chinn.

NÁ bog na tuanna cinn de láimh agus iad glasáilte nó díghlasáilte.

Níl aon chodanna fóinteacha ag an úsáideoir sa táirge nó i gcomhpháirteanna an chórais. Níor chóir aon iarracht a dhéanamh aon chuid den táirge a bhaint dá chéile. I gcás faidhbe, téigh i dteagmháil le do sholáthraí, le do thoil, chun cúnamh a fháil.

Ní mór go mbeadh na cáblaí ag teacht le sonraíochtaí Renishaw. D'fhéadfadh cáblú mícheart damáiste a dhéanamh don trealamh.

Féadtar toisc bhréagach tóireadóira-shuite a léiriú i roinnt cúinsí le comhartha an tóireadóira féin. Ná bí ag brath ar chomharthaí tóireadóira le gluaiseacht an mheaisín a stopadh.

Dá mbeadh sárú truíceartha tóireadóira ann, ní bheadh an meaisín in ann cúlú siar i gcás imbhuailte tóireadóira.

Tá an t-alt tóireadóira deartha chun an modúl stílis a scaoileadh i gcás tuairte.

Tá mótair dhírthiomána ag an táirge, agus is é stop tapa agus suíomh coinneála go díreach ina dhiaidh an fhreagairt is ísle riosca ar E-STOP. Dá bhrí sin, beidh na mótair chinn beo fós, fiú sa chás gur brúdh an cnaipe E-STOP.

Ní mór an ceann PH20 a iompar i bpacáiste arna sholáthar ag Renishaw.

Níl an trealamh seo oiriúnach le haghaidh úsáide in atmaisféar ina bhféadfadh pléascadh tarlú.

PH20 installation and user's guide

www.renishaw.com

HR - Sigurnost



OPREZ: Prije raspakiravanja i instaliranja sustava sonde PH20, korisnik mora pažljivo pročitati donje sigurnosne upute i osigurati da ih cijelo vrijeme potuju svi rukovatelji. Rukovatelji moraju biti obučeni za korištenje i primjenu sustava sonde PH20 i pripadajućih proizvoda, u kontekstu stroja koji je njima opremljen, prije nego to dobiju dopuštenje rada na stroju.

Uvjerite se da razumijete sve sigurnosne upute. Preporučuje se upoznavanje s komponentama sustava PH20.



OPREZ: U nekim komponentama sustava PH20 i pridruženih proizvoda koriste se trajni magneti. Vano je držati ih podalje od predmeta koji mogu biti zahvaćeni magnetskim poljima, npr. sustavi pohrane podataka, elektrostimulatori srca, satovi itd.

Rad i održavanje

Proizvod se koristi samo s odgovarajućim Renishaw kontrolerom.

Instaliranje sustava PH20 mora provesti obučeno osoblje.

NEMOJTE izravno uređivati nijednu datoteku sustava; odgovarajući softverski paket za puštanje u rad smije koristiti samo obučeno osoblje.

Važno je isključiti struju prije provođenja svih radova održavanja.

Održavanje se ograničava na postupke opisane u poglavlju o održavanju.

PH20 installation and user's guide

www.renishaw.com

Upozorenja

Budite na oprezu zbog neočekivanog pomicanja. Korisnik mora ostati izvan punog radnog prostora glave sonde i igle. Dobavljač stroja mora osigurati da je korisnik svjestan punog unutrašnjeg radnog prostora sustava.

Kod svih primjena koje uključuju korištenje strojnih alata ili CMM-ova, preporučuje se zaštita očiju.

Dobavljač stroja dužan je osigurati da korisnik bude upozoren na sve opasnosti tijekom rada, uključujući one navedene u Renishawovoj dokumentaciji proizvoda, te da su mu omogućene odgovarajuće zaštite i sigurnosni prekidači.

Proučite radne upute dobavljača stroja.

Pazite na to da se izbjegne sudaranje glave i radnog elementa ili CMM ploče.

UVJERITE se da je glava montirana koliko je moguće čvršće na kalem CMM-a.

Prije zahtijevanja promjene položaja se UVJERITE da se glava kreće bez prepreka.

NEMOJTE primjenjivati silu na pokretne dijelove glave.

NEMOJTE rukama pomicati osovine glave kad su zaključane ili otključane.

Proizvod i komponente sustava ne sadrže dijelove koje može servisirati sam korisnik. Ne smijete pokušavati rastaviti nijedan dio proizvoda. U slučaju problema, kontaktirajte svojega dobavljača za pomoć.

Kablovi moraju zadovoljiti specifikacije tvrtke Renishaw. Nepravilno postavljanje kablova moglo bi prouzročiti oštećenje opreme.

Pod određenim okolnostima signal sonde može lažno pokazivati stanje položaja sonde. Nemojte se pouzdati da će signali sonde zaustaviti kretanje stroja.

Nadjačavanje otponca sonde spriječit će povlačenje u slučaju sudara sonde.

Zglob sonde je napravljen tako da otpušta modul igle u slučaju lomljenja.

Proizvod ima izravne pogonske motore te je najmanje rizična reakcija značajke E-STOP provođenje brzog zaustavljanja iza kojega slijedi položaj zadržavanja. Kao takvi, motori glave će i dalje biti pod naponom, čak i nakon pritiska gumba E-STOP.

Glava PH20 mora se transportirati u pakovanju tvrtke Renishaw.

Ova oprema nije pogodna za korištenje u potencijalno eksplozivnoj atmosferi.

PH20 installation and user's guide

www.renishaw.com

HU - Biztonság



FIGYELMEZTETÉS: A PH20 rendszer kicsomagolása és telepítése előtt a felhasználónak figyelmesen el kell olvasnia az alábbi biztonsági utasításokat, és gondoskodnia kell arról, hogy azokat a rendszer minden kezelője, mindig betartsa. A kezelőknek még azt megelőzően képzésben kell részesülniük a PH20 rendszer és a kapcsolódó termékek használata és alkalmazása terén, mielőtt engedélyezik számukra a gép kezelését. A képzés során az érintett termékek használatát azon a gépen kell elsajátítani, amelyre azokat felszerelik.

Kérjük, győződjön meg arról, hogy minden biztonsági utasítást megértett. Javasoljuk, hogy ismerkedjen meg a PH20 rendszer összetevőivel.



FIGYELMEZTETÉS: A PH20 rendszer és a kapcsolódó termékek egyes alkatrészeiben állandó mágnesek találhatóak. Ezeket távol kell tartani olyan tárgytól, amelyeket a mágneses mezők károsíthatnak, pl. adattároló rendszerek, szívritmus-szabályozók, karórák stb.

Üzemeltetés és karbantartás

A termék csak a megfelelő Renishaw vezérlőegységgel használható.

A PH20 rendszer telepítését csak megfelelően képzett szakemberek végezhetik.

NE szerkessze közvetlenül egyik rendszerfájlt sem; az üzembe helyezéskor használandó szoftvercsomagot csak megfelelően képzett szakemberek használhatják.

Bármilyen karbantartási művelet kivitelezése előtt ajánlott a gép áramtalanítása.

A karbantartás keretében csak a megfelelő fejezetben leírt eljárások végezhetők el.

PH20 installation and user's guide

www.renishaw.com

Figyelmeztetések

Legyen óvatos, mert a gép váratlan mozgásokat végezhet. A felhasználónak a mérőfej és a tapintószár teljes munkatartományán kívül kell tartózkodnia. A gép forgalmazójának tájékoztatnia kell a felhasználót a rendszer teljes munkatartományát illetően.

Szerszámgépek és koordináta-mérőgépek használata során mindig javasolt a látásvédelmi eszközök viselése.

A gép gyártójának kötelessége felhívni a felhasználó figyelmét a berendezés használata során fennálló valamennyi veszélyre, beleértve a Renishaw termékeihez tartozó dokumentációban említett kockázatokat is; emellett az ő felelőssége a megfelelő védőelemek és biztonsági megszakító berendezések biztosítása is.

Ezzel kapcsolatban tekintse át a gép gyártója által kiadott kezelési utasítást.

Ügyeljen arra, hogy a fej ne ütközzön a munkadarabnak vagy a koordináta-mérőgép asztalának.

ÜGYELJEN ARRRA, hogy a fej a lehető legbiztonságosabban legyen a koordináta-mérőgép tengelyéhez rögzítve.

ÜGYELJEN ARRRA, hogy helyzetváltoztatás kérése előtt minden akadályt el kell távolítani a fej útjából.

NE fejtse ki erőt a fej mozgó alkatrészeire.

Sem reteszelt, sem kioldott állapotban NE mozgassa kézzel a fej tengelyeit.

A termék és a rendszer elemei nem tartalmaznak a felhasználó által javítható alkatrészeket. Ne kísérelje meg szétszerelni a termék egyetlen alkatrészét sem. Kérjük, amennyiben problémája támad, kérje a forgalmazó segítségét.

Csak a Renishaw előírásainak megfelelő kábeleket használjon. A helytelen kábelezés kárt tehet a berendezésben.

A mérőfejet ellenőrző jel bizonyos körülmények között tévesen jelezheti, hogy a mérőfej nem tért ki. Ne hagyatkozzon a mérőfejet ellenőrző jelre, ha meg kell állítani a gépet.

Abban az esetben, ha a mérőfej beleütközne valamibe, a mérőfejvezérlő elektronika megakadályozza a tapintáskor szokásos visszahúzást.

A mérőfej csatlakozása olyan kialakítású, hogy ütközés esetén elengedi a tapintószármodult.

A termék közvetlenül hajtott motorokkal rendelkezik, és VÉSZLEÁLLÍTÁS esetén a legkisebb kockázattal járó műveletet hajtja végre, azaz azonnal megáll és a leállítás előtti helyzetben marad. Ezáltal a fejet mozgató motorok tápellátása a VÉSZLEÁLLÍTÁS gomb megnyomása esetén sem szűnik meg.

A PH20 fej csak a Renishaw által biztosított csomagolásban szállítható.

Ez a berendezés nem alkalmas robbanásveszélyes légkörben történő használatra.

PH20 installation and user's guide

www.renishaw.com

IT - Sicurezza



ATTENZIONE: Prima di estrarre il sistema PH20 dall'imballo e iniziare l'installazione, leggere attentamente le istruzioni riportate di seguito e controllare che vengano sempre rispettate da tutti gli operatori. Prima di attivare una macchina che include il sistema PH20, gli operatori devono essere addestrati all'uso del sistema e dei prodotti accessori nel contesto in cui essi vengono utilizzati.

Leggere con estrema attenzione tutte le istruzioni di sicurezza. Si consiglia di acquisire familiarità con tutti i componenti del sistema PH20.



ATTENZIONE: Alcuni componenti del sistema PH20 e di prodotti associati includono magneti. Non avvicinare prodotti che possano essere influenzati da campi magnetici come ad esempio, sistemi di immagazzinamento dati, orologi, pacemaker e così via.

Uso e manutenzione

Il prodotto va utilizzato esclusivamente con il controllo Renishaw appropriato.

L'installazione del sistema PH20 deve essere eseguita da personale specializzato.

NON modificare direttamente i file del sistema. L'apposito pacchetto software sviluppato per la messa in opera deve essere utilizzato solo dal personale specializzato.

Prima di effettuare qualsiasi intervento di manutenzione, disconnettersi dalla rete di alimentazione.

Eseguire solo le procedure di manutenzione descritte nella sezione "Manutenzione".

PH20 installation and user's guide

www.renishaw.com

Avvertenze

Fare attenzione ai movimenti improvvisi. Si raccomanda all'utente di tenersi al di fuori dello spazio operativo della testa e dello stilo. È responsabilità del fornitore della macchina assicurarsi che l'utente sia a conoscenza dell'intero spazio operativo del sistema.

Si raccomanda di indossare occhiali di protezione in applicazioni che comportano l'utilizzo di macchine utensili e macchine CMM.

Il fornitore della macchina ha la responsabilità di avvertire l'utente dei pericoli inerenti al funzionamento della stessa, compresi quelli riportati nella documentazione prodotta da Renishaw, e di fornire dispositivi di protezione e interruttori di esclusione adeguati.

Consultare le istruzioni d'uso fornite dal fornitore della macchina.

Evitare le collisioni fra la testina e il pezzo da lavoro o il piano della CMM.

VERIFICARE che la testina sia montata in modo quanto più rigido possibile nella colonna della CMM.

Prima di richiedere un cambio di posizione, VERIFICARE che la testina si sia allontanata da qualsiasi ostacolo.

NON forzare i componenti mobili della testina.

NON spostare manualmente gli assi della testina quando questa è bloccata o sbloccata.

Il prodotto e i relativi componenti non contengono parti che possono essere riparate dall'utente. Non tentare di smontare i componenti del prodotto. In caso di problemi, contattare il fornitore e richiedere assistenza.

I cavi devono essere conformi alle specifiche Renishaw. L'utilizzo di cavi non adeguati potrebbe danneggiare il dispositivo.

È possibile che in certe situazioni venga erroneamente prodotto un segnale che indica che la sonda è in posizione. Non fare affidamento sui segnali di stato sonda per arrestare il movimento della macchina.

L'attivazione del segnale di fine corsa della sonda impedisce l'arretramento della macchina in caso di collisione.

Il giunto della sonda è stato progettato in modo da rilasciare il modulo stilo nel caso in cui si verifichi una collisione.

Il prodotto dispone di motori a presa diretta e la risposta meno rischiosa a un evento di E-STOP consiste nell'eseguire un arresto rapido seguito da un'istruzione di mantenere la posizione. Per tale ragione, i motori della testina rimangono attivi anche quando viene premuto il pulsante E-STOP.

La testina di PH20 deve essere trasportata solo utilizzando l'apposito imballaggio fornito da Renishaw.

Questo dispositivo non è adatto all'uso in ambienti in cui esiste il rischio di esplosioni.

PH20 installation and user's guide

www.renishaw.com

JA - 安全性



警告: PH20 システムの梱包を解いてインストールを始める前に、次の安全性に関する注意事項をよく読み、これらの事項を常に遵守してください。PH20 システムおよびその付属製品を使用する場合、オペレーターは機械の操作を始める前に、実際に取り付けられている機械を使って、その使用方法や安全性等について適切なトレーニングを受けてください。

すべての安全性に関する注意事項を理解していることを確認してください。PH20 システムの構成を把握しておくことをお勧めします。



警告: PH20 システムと関連製品の一部コンポーネントには、永久磁石が使用されています。データ格納システム、ペースメーカー、時計など、磁界の影響を受けるものは近づけないでください。

操作とメンテナンス

この製品には、レニショーコントローラを使用してください。

PH20 システムの取り付けは、トレーニングを受けた作業者のみが行ってください。

システムファイルは直接編集しないようにしてください。トレーニングを受けたオペレーターのみが適切な稼動ソフトウェアパッケージを使用するようにしてください。

メンテナンス作業を行う前に、電源を切断することをお勧めします。

メンテナンスは、メンテナンスセクションで説明された手順のみ行ってください。

PH20 installation and user's guide

www.renishaw.com

警告

予想外の動きに注意してください。ユーザーは、プローブヘッドとスタイラスの全可動範囲の外側にいるようにしてください。測定機の納入者は、ユーザーがシステムの全稼動範囲を把握していることを確認してください。

工作機械や三次元測定機の使用を含む全てのアプリケーションにおいて、保護眼鏡の着用を推奨します。

操作に伴うあらゆる危険性（製品の説明書に記載されている内容を含める）をユーザー様に明示すること、それらを防止する十分なカバー及び安全用インターロックを取り付けることはメーカー様の責任で行って下さい。

機械メーカーの操作説明書を参照してください。

ヘッドとワークまたは CMM テーブルが衝突しないよう注意してください。

ヘッドが三次元測定機のスピンドルにしっかりと固定されていることを確認してください。

角度の変更を実行する前に、可動範囲に障害物がないことを確認してください。

ヘッドの可動部に力を加えないでください。

ロック時やロック解除時に、ヘッドの軸を手で動かさないでください。

製品およびシ構成部品には、ユーザーが整備可能な部品はありません。製品パーツを取り外そうとしないでください。問題があれば、サプライヤーに連絡してください。

ケーブルは、レニショーの仕様にあった製品を使用して下さい。不適当なケーブルを使用すると、装置を損傷する可能性があります。

ある状況下では、プローブ信号出力が正しく出力されない場合もあります。プローブ信号のみに頼って機械を停止させないようにして下さい。

プローブトリガーのオーバーライドにより、プローブが衝突したときに機械のバックオフ動作を防止することができます。

プローブの結合部は、衝突時にスタイラスモジュールが外れるように設計されています。

製品にはダイレクトドライブモーターが使用されており、E-STOP（緊急停止）の際、高速で停止し位置を保持することで安全性を確保しています。この場合は、E-STOP ボタンを押していても、ヘッドモーターがオンのままになります。

PH20 ヘッドは、レニショーが提供した格納箱に入れて持ち運んでください。

この装置は、爆発の可能性のある場所での使用には適していません。

PH20 installation and user's guide

www.renishaw.com

LT - Sauga



ATSARGIAI: prieš išpakuodami ir montuodami sistemą PH20, atidžiai perskaitykite pateikiamus saugos nurodymus ir užtikrinkite, kad visi operatoriai jų laikytųsi kiekvieną kartą. Prieš leidžiant naudoti įrenginius, į kuriuos įmontuojama sistema PH20 ir kiti su šia sistema naudojami įtaisai, operatoriai turi būti išmokyti jais dirbti.

Įsitikinkite, ar supratote visus saugos nurodymus. Prieš naudojant, rekomenduojama susipažinti su PH20 sistemos dalimis.



ATSARGIAI: kai kuriose sistemos PH20 dalyse ir su ja naudojamuose įtaisuose yra nuolatinių magnetų. Todėl svarbu arti jų nelaikyti prietaisų, kuriuos gali paveikti magnetinis laukas, pavyzdžiui, duomenų atmintinių.

Naudojimas ir techninė priežiūra

Prietaisas turi būti naudojamas tik su atitinkamu „Renishaw“ valdikliu.

Sistemą PH20 turi sumontuoti tik apmokytas personalas.

Tiesiogiai NEREDAGUOKITE jokių sistemos failų. Atitinkamą derinimo programinės įrangos paketą gali naudoti tik apmokytas personalas.

Rekomenduojama, kad prieš atliekant bet kokius priežiūros darbus, būtų atjungtas elektros maitinimas.

Galima atlikti tik tuos priežiūros darbus, kurie nurodyti techninės priežiūros skyriuje.

PH20 installation and user's guide

www.renishaw.com

Įspėjimai

Saugokitės netikėtų judesių. Naudotojui nerekomenduojama atidaryti veikiančios zondo galvutės ir adatos junginio gaubto. Įrenginio tiekėjas turi užtikrinti, kad naudotojas žinotų apie didžiausią sistemos galingumą.

Atliekant visus darbus, kai naudojami įrenginio įrankiai, įrenginys valomas ir prižiūrimas, rekomenduojama užsidėti apsauginius akinius.

Įrenginio tiekėjas atsako už tai, kad naudotojas būtų įspėtas apie pavojus, susijusius su įrenginio naudojimu, taip pat apie pavojus, minimus „Renishaw“ prietaiso techninėje dokumentacijoje, ir kad būtų sumontuoti atitinkami apsauginiai įrenginiai bei blokatoriai.

Laikykitės įrenginio tiekėjo naudojimo nurodymų.

Saugokite galvutę nuo smūgio į ruošinį ar CMM stalą.

UŽTIKRINKITE, kad galvutė ant CMM ašies būtų sumontuota kuo tvirčiau.

UŽTIKRINKITE, kad galvutė judės laisvai prieš keisdami jos padėtį.

NENAUDOKITE jėgos jokioms judančioms galvutės dalims.

NEJUDINKITE galvutės ašių ranka, kai uždedama ar nuimama apsauga.

Sistemoje ir jos sudedamosiose dalyse nėra detalių, kurias galėtų remontuoti pats naudotojas. Negalima mėginti ardyti jokios prietaiso dalies. Kilus problemai, pagalbos kreipkitės į tiekėją.

Laidai turi atitikti „Renishaw“ specifikacijas. Netinkami laidai gali sugadinti įrenginį.

Susiklosčius tam tikroms aplinkybėms, zondo signalas gali neteisingai nurodyti, kad jo reikšmės atstatytos į pradinę būseną. Nepasikliaukite zondo signalais ir iš karto nestabdykite įrenginio.

Zondo paleidimo atšaukimo funkcija, zondui atsitrenkus, apsaugos įrenginį nuo atsitraukimo.

Zondo jungtis sukurta taip, kad nutikus avarijai, adatos modulis atsijungtų.

Įrenginyje yra tiesioginiai varikliai bei kyla mažiausias pavojus ESTOP, atliekant greitą sustabdymą į blokavimo padėtį. Galvutės varikliai nenustos veikę, netgi atleidus mygtuką ESTOP

PH20 galvutę galima vežti tik „Renishaw“ pakuotėje.

Įrenginys netinkamas naudoti sprogiroje aplinkoje.

PH20 installation and user's guide

www.renishaw.com

LV - Drošība



UZMANĪBU! Pirms „PH20” sistēmas izsaiņošanas un uzstādīšanas lietotājam uzmanīgi jāizlasa drošības instrukcijas un jāpārlicinās, ka visi operatori tās vienmēr noteikti ievēro. Pirms iekārtas izmantošanas operatori ir atbilstoši jāapmāca, lai pareizi lietotu „PH20” sistēmu un aprīkojumu.

Pārlicinieties, ka esat sapratis visas drošības instrukcijas. Ieteicams iepazīties ar PH20 sistēmas sastāvdaļām.



UZMANĪBU! Dažās „PH20” sistēmas un tās aprīkojuma sastāvdaļās ir iestrādāti pastāvīgi magnēti. Svarīgi tos turēt atstātus no tādiem priekšmetiem, kurus var ietekmēt magnētiskais lauks, piem., datu glabāšanas sistēmām, elektrokardiostimulatoriem, pulksteņiem utt.

Izmantošana un apkope

Šo izstrādājumu drīkst lietot tikai kopā ar saderīgu „Renishaw” regulatoru.

„PH20” sistēma jāuzstāda apmācītam personālam.

NEREDIĢĒJIET nevienu sistēmas failu. Attiecīgo programmatūras pakotni drīkst lietot tikai apmācīts personāls.

Pirms jebkādu apkopes darbu veikšanas ieteicams atslēgt strāvu.

Apkopes darbu apjomu ierobežo darbības, kas ir aprakstītas nodaļā par apkopi.

PH20 installation and user's guide

www.renishaw.com

Brīdinājumi

Uzmanieties no nejaušas kustības. Lietotājam jāpaliek ārpus zondes galviņas un adatas pilnas darbības rādiusa. Piegādātājam jāinformē lietotājs par sistēmas pilnas darbības rādus.

Izmantojot darba iekārtas vai koordinātu mērīšanas ierīces, ieteicams aizsargāt acis.

Iekārtas piegādātājs atbild par to, lai lietotājs būtu iepazīstināts ar jebkādu apdraudējumu, kas saistīts ar iekārtas darbību (ieskaitot to, kas minēts „Renishaw” izstrādājuma dokumentācijā), un lai būtu nodrošināts atbilstīgs aizsargaprīkojums un aizsargbloķētāji.

Skatiet iekārtas piegādātāja ekspluatācijas instrukcijas.

Raugieties, lai galviņa nesaskartos ar sagatavi vai koordinētās mērīšanas mašīnas galdu.

GĀDĀJIET, lai galviņa būtu iespējami cieši uzstādīta uz koordinētās mērīšanas mašīnas spoles.

Pirms maināt galviņas pozīciju, **GĀDĀJIET**, lai nekas neaizšķērsotu tās kustību.

NEIZDARIET SPIEDIENU uz nevienu galviņas kustīgo daļu.

NEKUSTINIET ar roku galviņas asis, kad tā tiek bloķēta vai atbloķēta.

Šajā izstrādājumā un sistēmas sastāvdaļās nav nevienas detaļas, kuru apkopi var veikt lietotājs. Nemēģiniet demontēt nevienu izstrādājuma daļu. Ja ir problēmas, sazinieties ar piegādātāju, lai saņemtu palīdzību.

Kabeļiem jāatbilst „Renishaw” specifikācijām. Lietojot nepareizus kabeļus, var sabojāt aprīkojumu.

Noteiktos apstākļos zondes signāls var nepareizi norādīt zondes stāvokli. Nepaļaujieties uz zondes signāliem, lai apturētu iekārtas kustību.

Zondes sprūda pārslodze novērsīs ierīces izslēgšanos zondes trieciena gadījumā.

Zondes savienojums izstrādāts tā, lai bojājuma gadījumā adatas modulis tiktu atbrīvots.

Šim izstrādājumam ir tiešās piedziņas motori, un, lai, nospiežot „E-STOP” pogu, mazinātu negadījumu risku, ieteicams ātri apstādināt ierīci un iestatīt to fiksētā stāvoklī. Tādējādi galviņas motori darbosies pat tad, ja „E-STOP” poga ir nospiesta.

„PH20” galviņu drīkst pārvadāt tikai „Renishaw” komplektācijā ietvertajā iesaiņojumā.

Aprīkojumu nedrīkst lietot ugunsbīstamos apstākļos.

PH20 installation and user's guide

www.renishaw.com

MT - Sigurtà



ATTENZJONI: Qabel ma joħroġ mill-ippakkjar u jinstalla s-sistema tas-sistema PH20, l-utent għandu jaqra bl-attenzjoni l-istruzzjonijiet dwar is-sigurtà hawn taħt u jiżgura li jkunu segwiti f'kull ħin mill-operaturi kollha. L-operaturi għandhom jiġu mħarrġa fl-użu u fl-applikazzjoni tas-sistema tas-sistema PH20 u tal-prodotti li jiġu magħha, fil-kuntest tal-magna li tkun iffittjata magħha, qabel ma jithallew iħaddmu dik il-magna.

Jekk jogħġbok aċċerta ruħek li tifhem l-istruzzjonijiet kollha dwar is-sigurtà. Hu rakkomandat li tkun familjari mal-komponenti tas-sistema PH20.



ATTENZJONI: Kalamiti permanenti jintużaw f'xi komponenti tas-sistema PH20 u prodotti assoċjati. Hu importanti li żżommhom 'il bogħod minn oġġetti li jistgħu jiġu affettwati minn kampijiet manjetiċi, eż. sistemi ta' ħażna tad-dejta, pacemakers u arloġġi, eċċ.

Tħaddim u manutenzjoni

Il-prodott għandu jintuża biss mal-kontrollur Renishaw li support.

L-installazzjoni tas-sistema PH20 trid titwettaq minn staff imħarreg.

M'GĦANDEKX teditja xi waħda mill-files tas-sistema direttament, il-pakkett adattat tas-software tal-ikkummissjonar għandu jintuża biss minn staff imħarreg.

Hu rakkomandat li l-provvista tad-dawl tintefa qabel ma jitwettqu kwalunkwe operazzjonijiet tal-manutenzjoni.

Il-manutenzjoni hi ristretta għall-proċeduri deskritti fit-taqsimha tal-manutenzjoni.

PH20 installation and user's guide

www.renishaw.com

Twissijiet

Oqgħod attenta/a għal moviment mhux mistenni. L-utent għandu jibqa' 'l barra miż-żona sfiha tal-operat tal-probe head u tal-istylus. Il-fornitur tal-magna għandu jiżgura li l-utent ikun jaf x'inhi ż-żona sfiha tal-operat tas-sistema.

Fix-xogħol kollu li jinvolvi l-użu ta' għodda tal-magni jew CMMs, il-protezzjoni tal-għajnejn hi rakkomandata.

Hija r-responsabbiltà tal-fornitur tal-magna li jiżgura li l-utent ikun magħmul konxju ta' kwalunkwe perikli involuti fit-tħaddim, inklużi dawk imsemmija fid-dokumentazzjoni tal-prodotti Renishaw, u li jiżgura li hemm protezzjoni u l-interlocks tas-sigurtà adegwati pprovduti.

Irreferi għall-istruzzjonijiet tal-operat tal-fornitur tal-magna.

Oqgħod attent/a biex tevita hbit bejn il-head u l-workpiece jew il-mejda CMM.

ŻGURA li l-head tkun immuntat b'mod riġidu kemm jista' jkun fil-quill tas-CMM.

ŻGURA li l-head ma jkollha l-ebda ostaklu madwarha qabel ma titlob bidla fil-pożizzjoni.

TAPPLIKAX forza fuq kwalunkwe partijiet li jiċċaqilqu tal-head.

ICĊAQLAQX l-assi tal-head b'idejk meta jkunu msakkrin jew miftuħin.

Il-prodott u l-komponenti tas-sistema ma fihom l-ebda partijiet li jistgħu jingħataw manutenzjoni mill-utent. M'għandu jsir l-ebda tentattiv biex tiżżarma kwalunkwe parti tal-prodott. Fil-każ ta' xi problema, jekk jogħġbok ikkuntattja lill-fornitur tiegħek għall-għajnunha.

Il-kejbs iridu jkunu konformi mal-ispeċifikazzjonijiet ta' Renishaw. Cabling ħażin jista' jikkawża ħsara lit-tagħmir.

Taħt ċerti ċirkustanzi, is-sinjali tas-sonda jista' jindika b'mod falz kundizzjoni probe-seated. Tiddependix fuq is-sinjali tas-sonda biex twaqqaf il-moviment tal-magna.

Il-probe override trigger se jipprevjeni li l-magna tersaq lura f'każ ta' hbit tas-sonda.

Il-probe joint hi maħsuba biex terfi l-modulu tal-istylus f'każ ta' hbit.

Il-prodott għandu drive motors diretti u l-iktar reazzjoni baxxa ta' riskju għal E-STOP hu li twettaq fast stop segwit minn holding position. Minħabba f'dan, il-head motors se jibqgħu live, anki jekk tingħafas il-buttuna E-STOP.

Il-head ta' PH20 għandha tingarr f'ippakkjar fornut minn Renishaw.

Dan it-tagħmir mhuwix adattat għall-użu f'atmosfera li hi potenzjalment esploziva.

PH20 installation and user's guide

www.renishaw.com

NL - Veiligheid



WAARSCHUWING: Lees voor het uitpakken en installeren van het PH20 systeem eerst de veiligheidsinstructies hieronder en zorg ervoor dat deze te allen tijde door alle gebruikers worden opgevolgd. Gebruikers moeten worden opgeleid in het hanteren en toepassen van het PH20 tastersysteem en bijbehorende producten op de machine waarop het systeem is aangebracht, voordat ze die machine gaan gebruiken.

Zorg ervoor dat u alle veiligheidsinstructies begrijpt. Maakt u zich vertrouwd met de onderdelen van het PH20 systeem.



WAARSCHUWING: In enkele componenten van het PH20 systeem en bijbehorende producten worden permanente magneten gebruikt. Het is belangrijk om deze weg te houden van voorwerpen die gevoelig zijn voor magnetische velden, zoals gegevensopslagsystemen, pacemakers, horloges enz.

Bediening en onderhoud

Gebruik het product alleen samen met de juiste Renishaw besturing.

Het PH20 systeem moet geïnstalleerd worden door gekwalificeerd personeel.

Bewerk de systeembestanden NIET zelf. Het betreffende softwarepakket voor inbedrijfstelling mag alleen gebruikt worden door gekwalificeerd personeel.

Koppel bij voorkeur de voedingsspanning los voordat onderhoudswerk plaatsvindt.

Voer als onderhoud alleen de procedures uit die in het hoofdstuk over onderhoud staan.

PH20 installation and user's guide

www.renishaw.com

Waarschuwingen

Pas op voor onverwachte bewegingen. Blijf als gebruiker buiten het werkbereik van de tasterkop en de stylus. De machineleverancier dient ervoor te zorgen dat de gebruiker weet wat het werkbereik van het systeem is.

Voor alle toepassingen met bewerkingsmachines of CMM's wordt aanbevolen een veiligheidsbril te dragen.

De leverancier van de machine dient te zorgen dat de gebruiker op de hoogte is van de risico's die zijn verbonden aan het gebruik van de machine, met inbegrip van de risico's vermeld in de productdocumentatie van Renishaw, en dat de machine is voorzien van voldoende beveiligingen en veiligheidsvergrendelingen.

Raadpleeg de bedieningsinstructies van de machineleverancier.

Voorkom dat de meetkop tegen het product of tegen de tafel van de CMM botst.

ZORG ERVOOR dat de kop zo star mogelijk aan de CMM-as gemonteerd is.

ZORG ERVOOR dat de kop weg is van eventuele obstakels voordat een positieverandering wordt gevraagd.

VERMIJD het uitoefenen van kracht op bewegende delen van de kop.

VERMIJD het handmatig bewegen van de kop wanneer deze vast of los is.

Het product en de systeemcomponenten bevatten geen onderdelen die de gebruiker zelf kan repareren. Probeer niet om onderdelen van het product te demonteren. Mocht er een probleem zijn, neem dan contact op met uw leverancier.

De kabels moeten voldoen aan de specificaties van Renishaw. Onjuist kabelwerk kan schade aan de apparatuur toebrengen.

Onder bepaalde omstandigheden kan het tastersignaal een onjuiste tastertoestand aangeven. Vertrouw niet op de tastersignalen voor het stoppen van de machinebeweging.

Mogelijk negeert de machine het tastersignaal en trekt hij niet terug bij een botsing met een meettaster.

De tasterkoppeling is zo uitgevoerd dat hij de stylusmodule loslaat als zich een botsing voordoet.

Het product heeft direct drive motoren, en de veiligste reactie op een E-STOP is een snelle stop uitvoeren en dan de positie vasthouden. Zo blijven de motoren van de meetkop in werking, zelfs als de E-STOP-knop is ingedrukt.

Vervoer de PH20 meetkop altijd in de verpakking van Renishaw.

Deze apparatuur is niet geschikt voor gebruik in een potentieel explosieve omgeving.

PH20 installation and user's guide

www.renishaw.com

PL - Bezpieczeństwo



PRZESTROGA: Przed rozpakowaniem i zainstalowaniem systemu PH20 użytkownik powinien dokładnie zapoznać się z poniższymi instrukcjami dotyczącymi bezpieczeństwa oraz zapewnić stałe przestrzeganie tych instrukcji przez wszystkich operatorów. Operatorzy, przed dopuszczeniem ich do obsługi maszyny współrzędnościowej, muszą być przeszkoleni w używaniu i zastosowaniu systemu PH20 oraz elementów pomocniczych.

Należy zadbać o dokładne zrozumienie wszystkich zaleceń dotyczących bezpieczeństwa. Zalecane jest zaznajomienie się z częściami składowymi systemu PH20.



PRZESTROGA: W niektórych częściach składowych systemu PH20 i produktów pomocniczych są stosowane magnesy trwałe. Ważne jest, aby utrzymywać je z dala od takich elementów, na które mogą niekorzystnie oddziaływać pola magnetyczne, np. systemy przechowywania danych, stymulatory serca, zegarki itp.

Eksploatacja i konserwacja

Produkt jest przeznaczony do użytkowania tylko z odpowiednim sterownikiem firmy Renishaw.

System PH20 musi być zainstalowany przez przeszkolonego pracownika.

NIE NALEŻY bezpośrednio edytować jakichkolwiek plików systemowych. Przeszkoleni pracownicy mogą używać odpowiedniego pakietu oprogramowania.

Przed wykonaniem jakichkolwiek czynności konserwacyjnych zaleca się wyłączenie zasilania.

Czynności konserwacyjne zostały ograniczone do wykonania procedur opisanych w rozdziale KONSERWACJA.

PH20 installation and user's guide

www.renishaw.com

Ostrzeżenia

Należy uważać na nieoczekiwane przemieszczenia zespołów maszyny. Użytkownik powinien pozostawać poza pełnym zasięgiem roboczym głowicy sondy i trzpienia pomiarowego. Dostawca maszyny powinien zadbać o zaznajomienie użytkownika z pełnym zasięgiem roboczym systemu.

Podczas obsługi obrabiarek lub maszyn współrzędnościowych zaleca się używanie osłon na oczy.

Na dostawcy maszyny współrzędnościowej spoczywa odpowiedzialność za uprzedzenie użytkownika o wszelkich zagrożeniach związanych z eksploatacją łącznie z tymi, o jakich wspomina się w dokumentacji produktu Renishaw oraz za zapewnienie stosownych osłon i blokad zabezpieczających.

Zapoznać się z instrukcjami obsługi dostarczonymi przez dostawcę urządzeń.

Należy zachować ostrożność i unikać kolizji pomiędzy głowicą a obrabianym przedmiotem lub stołem maszyny współrzędnościowej.

UPEWNIJ SIĘ, że głowica jest sztywno zamontowana w tulei łożyskowej wrzeciona maszyny współrzędnościowej.

UPEWNIJ SIĘ przed zmianą pozycji zespołu głowicy, że znajduje się ona w pozycji bezpiecznej i droga żądanego przemieszczenia wolna jest od przeszkód.

NIE NALEŻY używać siły wobec jakichkolwiek ruchomych części głowicy.

NIE NALEŻY ręcznie przesuwać głowicy pomiarowej kiedy jest zablokowana lub odblokowana.

Komponenty systemu nie zawierają części, których obsługę mógłby wykonać użytkownik. Nie należy podejmować prób rozkładania na części żadnego z zespołów systemu. W razie natknięcia się na problem prosimy zwrócić się o pomoc do swego dostawcy.

Przewody muszą odpowiadać wymaganiom technicznym firmy Renishaw. Nieprawidłowe okablowanie może być przyczyną uszkodzenia sprzętu.

W określonych warunkach sygnał sondy może fałszywie wskazywać stan gotowości sondy. Nie należy zatrzymywać pracy maszyny tylko z powodu fałszywego sygnału sondy.

Możliwość dezaktywacji sondy sprawia, że w razie uderzenia sondą, maszyna nie cofnie się.

Złącze sondy zostało tak zaprojektowane, aby w razie kolizji następowało rozłączenie modułu trzpienia.

Produkt jest wyposażony w silniki napędu bezpośredniego, a w reakcji na najmniejsze zagrożenie funkcja E-STOP natychmiast zatrzyma maszynę i utrzyma pozycję. Silniki głowicy będą nadal działać, nawet jeżeli wciśnięty jest przycisk E-STOP.

Głowicę pomiarową PH20 należy transportować wyłącznie w oryginalnym opakowaniu Renishaw.

Ten sprzęt nie jest przeznaczony do stosowania w środowiskach zagrożonych wybuchem.

PH20 installation and user's guide

www.renishaw.com

PT - Segurança



ATENÇÃO: Antes de desembalar e instalar o sistema PH20, o usuário deve ler as instruções de segurança com muita atenção e assegurar que sejam sempre obedecidas por todos os operadores. Os operadores devem ser treinados na utilização e aplicação do sistema PH20 e produtos associados, no contexto da máquina na qual serão instalados, antes que sejam autorizados a operá-lo.

Assegure-se que as instruções de segurança foram compreendidas. Recomenda-se a familiarização com os componentes do sistema PH20.



ATENÇÃO: São utilizados ímãs permanentes em alguns componentes do PH20 e produtos associados. É importante manter estes ímãs afastados de quaisquer objetos que possam ser afetados por campos magnéticos, como sistemas de armazenamento de dados, marca-passos, relógios, etc.

Operação e manutenção

O produto somente deve ser utilizado com o comando Renishaw apropriado.

A instalação do sistema PH20 deve ser realizada por pessoal treinado.

NÃO edite nenhum arquivo de sistema diretamente, o software de preparação deve ser utilizado somente por pessoal treinado.

Recomenda-se desconectar a energia antes de executar quaisquer operações de manutenção.

A manutenção está restrita aos procedimentos descritos na seção de manutenção.

PH20 installation and user's guide

www.renishaw.com

Advertência

Tome cuidado com movimentos inesperados. O usuário deve permanecer fora da área de trabalho do cabeçote do apalpador e da ponta. O fornecedor da máquina deve assegurar que o usuário está ciente de toda a área de trabalho do sistema.

Em todas as aplicações que envolvem a utilização de máquinas-ferramenta e MMCs, recomenda-se a utilização de proteção para os olhos.

É responsabilidade do fabricante da máquina assegurar que o usuário esteja consciente de quaisquer perigos envolvidos na operação, incluindo os mencionados na documentação dos produtos Renishaw e assegurar que são fornecidas proteções e bloqueios de segurança adequados.

Consultar as instruções de funcionamento do fornecedor da máquina

Tome cuidado para evitar colisões entre o cabeçote e a peça ou a mesa da MMC.

ASSEGURE-SE que o cabeçote esteja montado com a máxima rigidez possível na coluna da MMC.

ASSEGURE-SE que o cabeçote pode mover livremente antes de solicitar uma mudança de posição.

NÃO aplique força sobre quaisquer peças móveis do cabeçote.

NÃO mova os eixos do cabeçote manualmente quando travado ou destravado.

O produto e os componentes do sistema não contêm peças que possam ser reparadas pelo usuário. Não tente desmontar qualquer peça do produto. Na ocorrência de um problema, contate seu fornecedor para assistência.

Os cabos devem atender as especificações Renishaw. Um cabeamento incorreto pode danificar o equipamento.

Sob certas circunstâncias, o sinal do apalpador pode incorretamente indicar uma condição de apalpador assentado. Não confie nos sinais do apalpador para interromper o movimento da máquina.

A desativação por avanço do apalpador evitará o recuo da máquina em caso de colisão do apalpador.

A articulação do apalpador é projetada para soltar o módulo da ponta em caso de colisão.

O produto possui motores de acionamento direto e a reação de menor risco em caso de parada de emergência é executar uma parada rápida seguida de posição de espera. Deste modo, os motores do cabeçote permanecerão energizados, mesmo que o botão de parada de emergência seja pressionado.

O cabeçote PH20 deve ser transportado na embalagem original Renishaw.

Este equipamento não deve ser utilizado em atmosferas potencialmente explosivas.

PH20 installation and user's guide

www.renishaw.com

RO - Instrucțiuni de siguranță



ATENȚIE: Este indicat ca toți utilizatorii și operatorii să citească cu atenție instrucțiunile de mai jos înainte de a despacheta și instala sistemul PH20. Operatorii trebuie instruiți pentru utilizarea sistemului PH20 și a accesoriilor acestuia în configurația existentă înainte de a li se permite operarea mașinii.

Asigurați-vă că ați înțeles toate instrucțiunile de siguranță. Se recomandă familiarizarea în prealabil cu toate componentele sistemului PH20.



ATENȚIE: În unele componente ale sistemului PH20 sunt folosiți magneti permanenți. Este recomandată păstrarea distanței față de aceștia a dispozitivelor care pot fi afectate de câmp magnetic cum ar fi: sisteme de stocare de date, pacemaker, ceasuri etc.

Utilizare și întreținere

Acest produs este destinat numai utilizării cu un controller Renishaw potrivit.

Sistemul PH20 trebuie să fie instalat de o persoană calificată.

NU editați în mod direct niciunul dintre fișierele sistemului, pachetul software corespunzător de punere în funcțiune trebuie să fie utilizat doar de personal calificat.

Se recomandă deconectarea sursei de alimentare înainte oricărei operații de întreținere.

Întreținerea este redusă la procedurile descrise în secțiunea mentenanță.

PH20 installation and user's guide

www.renishaw.com

Avertismente

Atenție la deplasările neașteptate. Operatorul trebuie să rămână complet în afara spațiului de lucru al capului și al peniței palpatorului. Producătorul mașinii trebuie să se asigure că utilizatorul cunoaște limitele spațiului de lucru a mașinii.

În toate aplicațiile care presupun utilizarea mașinilor unelte sau a MMC, se recomandă protejarea ochilor.

Furnizorul mașinii este responsabil să asigure că utilizatorul cunoaște pericolele pe care le presupune operarea mașinii, inclusiv cele menționate în documentația produsului Renishaw, și să asigure că sunt furnizate dispozitivele de blocare și de protecție corespunzătoare.

Consultați instrucțiunile de operare livrate de furnizorul mașinii.

ATENȚIE pentru a evita coliziunile sistemului PH20 cu piesa de măsurat sau masa mașinii de măsură.

VERIFICAȚI dacă capul este montat pe cât de rigid posibil pe arborele mașinii de măsură.

ASIGURAȚI-VĂ că capul nu întâmpină niciun obstacol înainte de a solicita o modificare a poziției.

NU forțați nicio piesă mobilă a capului.

NU mișcați axele capului cu mâna atunci când acesta este blocat sau deblocat.

Produsul și componentele sistemului nu conțin părți reparabile de către utilizator. Este interzisă demontarea oricărei părți a produsului. În cazul unui defect contactați furnizorul pentru asistență.

Cablurile trebuie să corespundă specificațiilor Renishaw. Cabluri neadecvate pot defecta echipamentul.

În anumite circumstanțe, semnalul palpatorului poate indica în mod eronat starea de palpator în poziție așezat. Nu vă bazați pe semnalele primite de la palpator pentru a opri deplasarea mașinii.

Funcția 'probe trigger override' va împiedica retragerea/oprirea mașinii în cazul unei coliziuni.

Articulația palpatorului are rolul de a elibera modulul peniței în caz de accident.

Produsul are motoare cu antrenare directă și reacția cu cel mai scăzut grad de risc în cazul unei opriri de urgență este efectuarea unei opriri rapide menținând poziția. În acest fel, motoarele capului rămân active, chiar dacă butonul OPRIRE DE URGENȚĂ este apăsat.

Capul PH20 trebuie transportat în ambalajul furnizat de Renishaw.

Acest echipament nu poate fi folosit în medii cu potențial exploziv.

PH20 installation and user's guide

www.renishaw.com

SK - Bezpečnosť



UPOZORNENIE: Pred rozbalením a nainštalovaním systému PH20 si musí používateľ dôkladne prečítať bezpečnostné pokyny uvedené nižšie a zaistiť ich neustále dodržiavanie všetkými obsluhujúcimi pracovníkmi. Obsluhujúci pracovníci musia byť predtým, než sa im umožní ovládanie príslušného stroja, vyškolení v používaní a aplikácii systému PH20 a sprievodných produktov v kontexte stroja, do ktorého sa montuje.

Musíte porozumieť všetkým bezpečnostným pokynom. Odporúča sa oboznámenie so súčasťami systému PH20.



UPOZORNENIE: V niektorých súčiastiach systému PH20 a sprievodných produktoch sa používajú permanentné magnety. Je dôležité udržiavať ich mimo predmetov, ktoré môžu byť ovplyvnené magnetickými poľami, ako sú napríklad systémy na ukladanie údajov, kardiostimulátory, hodinky a podobne.

Prevádzka a údržba

Tento produkt sa smie používať iba s príslušným riadiacim systémom Renishaw.

Inštaláciu systému PH20 musí vykonať vyškolený personál.

NEUPRAVUJTE priamo žiadne systémové súbory. Príslušný softvérový balík určený na uvedenie do prevádzky smie použiť iba vyškolený personál.

Pred vykonávaním akejkoľvek údržby odporúčame odpojiť napájanie.

Údržba je obmedzená na postupy uvedené v časti venovanej údržbe.

PH20 installation and user's guide

www.renishaw.com

Upozornenia

Dávajte pozor na neočakávaný pohyb. Používateľ sa musí zdržiavať mimo celej pracovnej dráhy snímačej hlavice a snímacieho hrotu. Dodávateľ stroja musí zaručiť, aby bol používateľ oboznámený s celou pracovnou dráhou systému.

Vo všetkých aplikáciách zahŕňajúcich používanie obrábacích strojov alebo súradnicových meracích prístrojov sa odporúča ochrana očí.

Zodpovednosťou dodávateľa stroja je zaručiť oboznámenie používateľa so všetkými rizikami súvisiacimi s prevádzkou vrátane tých, ktoré sú uvedené v dokumentácii k produktu spoločnosti Renishaw, a zaručiť poskytnutie adekvátnych zábran a bezpečnostných blokovacích poistiek.

Pozrite si prevádzkové pokyny dodávateľa stroja.

Dávajte pozor, aby sa zabránilo kolíziám medzi hlavicou a meranou súčiastkou alebo stolom súradnicového meracieho prístroja.

ZABEZPEČTE, aby hlavica bola namontovaná čo najpevnejšie do puzdra súradnicového meracieho prístroja.

Pred vyžiadanim zmeny polohy ZABEZPEČTE, aby sa hlavica pohybovala bez akýchkoľvek prekážok.

NEPÔSOBTE silou na žiadne pohyblivé diely hlavice.

NEHÝBTE osami hlavice rukou, keď sú zablokované alebo odblokované.

Tento produkt a jeho systémové komponenty neobsahujú žiadne súčasti, ktoré by mohol opraviť používateľ. Nepokúšajte sa demontovať žiadne súčasti tohto produktu. V prípade problému kontaktujte dodávateľa a požiadajte ho o pomoc.

Káble musia spĺňať špecifikácie spoločnosti Renishaw. Nesprávne káble môžu spôsobiť poškodenie zariadenia.

Signál sondy môže za určitých okolností nesprávne indikovať parkovaciu polohu sondy. Pri zastavovaní pohybov stroja sa nespoliehajte na signály sondy.

Systém blokovania aktivácie sondy zabráni spätnému pohybu stroja v prípade kolízie sondy.

Spojka sondy je navrhnutá tak, aby v prípade nárazu uvoľnila modul snímacieho hrotu.

Tento produkt používa motory priameho pohonu a najmenej rizikovou reakciou na stav E-STOP je vykonanie rýchleho zastavenia s následným podržaním polohy. V takomto prípade motory hlavice zostanú aktívne, aj pri uvoľnení tlačidla E-STOP.

Hlavica PH20 sa musí prepravovať v obale dodanom spoločnosťou Renishaw.

Toto zariadenie nie je vhodné na používanie v potenciálne výbušnej atmosfére.

PH20 installation and user's guide

www.renishaw.com

SL - Varnost



POZOR: Uporabnik mora pred jemanjem iz embalaže in montažo sistema PH20 skrbno prebrati spodnja varnostna navodila ter poskrbeti, da jih bodo dosledno upoštevali vsi operaterji. Preden začnejo upravljati s strojem, morajo operaterji opraviti usposabljanje za uporabo sistema PH20 in spremljajočih izdelkov v kontekstu stroja, na katerem je sistem nameščen.

Poskrbite, da boste pred uporabo razumeli vsa varnostna navodila. Priporočamo vam, da se seznanite s komponentami sistema PH20.



POZOR: V nekaterih komponentah sistema PH20 in spremljajočih izdelkih so trajni magneti. Pazite, da take komponente ne pridejo v bližino predmetov, na katere lahko vplivajo magnetna polja; to so npr. sistemi za shranjevanje podatkov, srčni spodbujevalniki, ure itd.

Upravljanje in vzdrževanje

Izdelek uporabljajte samo v kombinaciji z ustreznim krmilnikom Renishaw.

Montažo sistema PH20 mora opraviti usposobljeno osebje.

NE urejajte neposredno nobenih sistemskih datotek. Le usposobljeno osebje lahko uporablja ustrezen programski paket za zagon.

Priporočamo vam, da pred izvedbo kakršnihkoli vzdrževalnih del odklopite električno napajanje.

Vzdrževanje obsega samo postopke, ki so opisani v poglavju Vzdrževanje.

PH20 installation and user's guide

www.renishaw.com

Opozorila

Bodite pozorni na nepričakovane premike. Uporabnik se mora zadrževati zunaj delovnega območja merilne glave in tipala. Dobavitelj stroja mora uporabniku razložiti, kje je celotno delovno območje sistema.

Pri vsaki uporabi obdelovalnih strojev ali koordinatnih merilnih strojev priporočamo uporabo zaščitnih očal.

Odgovornost dobavitelja stroja je, da uporabnika opozori na vse nevarnosti pri delovanju, tudi na tiste, ki so navedene v dokumentaciji Renishaw, in da zagotovi vsa potrebna varovala in varnostne zapore.

Držite se navodil dobavitelja stroja.

Pazite, da ne pride do trkov med glavo in obdelovancem ali mizo koordinatnega merilnega stroja.

POSKRBITE, da bo glava vpeta v nastavek koordinatnega merilnega stroja kar se da togo.

POSKRBITE, da bo glava odmaknjena od vseh ovir, preden zahtevate spremembo položaja.

NE skušajte delovati s silo na premikajoče se dele glave.

NE premikajte ročno osi glave niti ko je glava blokirana niti ko je sproščena.

Izdelek in komponente sistema ne vsebujejo nobenih delov, ki bi jih uporabnik lahko popravil sam. Ne poskušajte razstaviti nobenega dela izdelka. V primeru težav se obrnite na svojega dobavitelja.

Kabli morajo ustrezati specifikacijam Renishaw. Neustrezni kabli lahko poškodujejo opremo.

V določenih pogojih lahko signal glave lažno nakazuje, da je glava spravljenjena. Ne zanašajte se na signale glave za ustavitev gibanja stroja.

Premostitev proženja merilne glave prepreči umik stroja v primeru trka glave.

Pritrditev merilne glave je zasnovana tako, da v primeru trka sprosti merilni modul.

Izdelek ima motorje za neposredni pogon. Reakcija na zaustavitev v sili z najmanjšim tveganjem je hitra zaustavitev, ki ji sledi zadržanje. Motorji glave tako ostanejo pod napetostjo tudi po pritisku gumba za zaustavitev v sili.

Glavo PH20 transportirajte v originalni embalaži Renishaw.

Ta oprema ni primerna za uporabo v potencialno eksplozivnih atmosferah.

PH20 installation and user's guide

www.renishaw.com

SV - Säkerhet



VAR FÖRSIKTIG: Innan PH20-systemet packas upp och installeras bör du läsa nedanstående säkerhetsföreskrifter noggrant, och se till att de alltid följs av alla operatörer. Operatörerna måste utbildas i användning och inställning av PH20-systemet och tillhörande produkter tillsammans med den maskin som systemet är monterat på, innan maskinen körs.

Du måste ha förstått alla säkerhetsföreskrifter. Vi rekommenderar att du bekantar dig med PH20-systemets olika komponenter.



VAR FÖRSIKTIG: Permanentmagneter används i vissa komponenter i PH20-systemet och tillhörande produkter. Det är viktigt att hålla avstånd mellan dessa och sådant som kan skadas av magnetfält, t.ex. datalagringsenheter, pacemakers, klockor m.m.

Drift och underhåll

Produkten får endast användas tillsammans med lämplig styrenhet från Renishaw.

Installation av PH20-systemet måste utföras av utbildad personal.

Redigera ALDRIG någon av systemfilerna direkt. Endast utbildad personal får använda avsett programpaket för drifttagning.

Bryt strömtillförseln innan underhåll utförs.

Med underhåll avses endast de procedurer som beskrivs i underhållsavsnittet.

PH20 installation and user's guide

www.renishaw.com

Varning

Se upp för plötsliga rörelser. Användaren bör alltid befinna sig utanför arbetsområdet för sondhuvudet och mätspetsen. Leverantören bör kontrollera att användaren är medveten om omfattningen av systemets arbetsområde.

Ögonskydd rekommenderas för alla tillämpningar, där verktygsmaskiner eller koordinatmätmaskiner används.

Maskinleverantören ansvarar för att användaren informeras om de risker som drift innebär, inklusive de som nämns i Renishaws produktokumentation, samt att tillräckliga skydd och säkerhetsföreglingar tillhandahålls.

Se maskintillverkarens bruksanvisning.

Undvik kollisioner mellan huvudet och detaljen eller koordinatmätmaskinens bord.

KONTROLLERA att huvudet monterats så styvt som möjligt i koordinatmätmaskinens hylsa.

KONTROLLERA att huvudet går fritt från alla hinder innan du begär en positionsförändring.

Lägg ALDRIG någon kraft på huvudets rörliga delar.

Flytta ALDRIG huvudets axlar för hand när dessa är låsta eller olåsta.

Produkten och systemkomponenterna innehåller inga delar som användaren kan utföra underhåll på. Försök inte ta isär produktens delar. Kontakta leverantören vid problem.

Alla kablar måste uppfylla Renishaws specifikationer. Felaktig kabeldragning kan skada utrustningen.

Under vissa omständigheter kan probsignalen felaktigt ange att en prob är monterad. Lita inte på probsignaler för att stoppa maskinens rörelse.

Övermanning (override) av probutlösaren förhindrar backning av maskinen i händelse av probkollision.

Probens led är konstruerad för att frikoppla mätspetsens modul i händelse av stötar.

Produkten har direktdrivningsmotorer och den lägsta risken vid ett nödstopp (E-STOP) är att göra ett snabbt stopp och därefter hålla positionen. I detta fall kommer huvudmotorerna att fortsätta vara aktiva även om nödstoppknappen (E-STOP) tryckts in.

PH20-huvudet får endast transporteras i emballage från Renishaw.

Denna utrustning ska inte användas i miljöer där explosionsrisk föreligger.

PH20 installation and user's guide

www.renishaw.com

TW - 安全



注意:在拆開包裝和安裝 PH20 系統之前, 使用者應詳細閱讀該下方的安全指示, 並保證所有操作者隨時都能確實遵守這些安全指示。操作者在獲准操作機器設備之前, 必須接受如何應用 PH20 系統及其相關產品的培訓並且具備該機器設備充分的操作知識。

請確保您瞭解所有的安全指示。建議您先熟悉相關的 PH20 系統組件。



注意:在某些 PH20 系統中的組件及其關聯產品中有使用永久磁鐵。請特別注意盡量使可能受到磁場影響的物體遠離裝置, 諸如資料儲存系統、心臟起搏器和手錶等等。

操作和維護

本產品必須搭配適當的 Renishaw 控制器。

PH20 系統的安裝必須由培訓合格的人員執行。

切勿直接編輯任何系統檔案, 適用的調試套裝軟體應僅限培訓合格的人員使用。

建議在執行任何維護作業之前先切斷電源。

請嚴格遵照維護章節中所述的程序執行維護操作。

PH20 installation and user's guide

www.renishaw.com

警告

請小心不預期的機構操作移動。使用者應該與測頭座和測針的整個操作運動範圍保持一段安全距離。機器供應商應確實讓使用者瞭解該系統的整個操作運動範圍。

在使用機器工具或 CMM 的應用程序中，建議採用眼部防護措施。

機器供應商有責任確保使用者瞭解操作環境中的任何可能危險，包括在 Renishaw 產品使用說明提到的狀況，並務必提供足夠的護具和安全互鎖裝置。

請參閱機器供應商的操作指導書。

請注意避免測頭座與工件之間或與 CMM 工作台之間的碰撞。

務必確保測頭座牢固安裝在 CMM 軸套中。

務必確保在要求變更座標位置之前，測頭座移動方向無任何障礙物。

切勿施力於測頭座的任何可移動零件。

切勿在行程鎖定或鬆開狀態時用手來移動測頭座所在的軸。

本產品和系統組件不包含使用者可自行維修的零件。不得嘗試拆解本產品的任何零件。倘若出現問題，請連絡您的機器設備供應商以尋求協助。

所使用的電纜線必須符合 Renishaw 規格要求。佈線不正確可能導致裝置損壞。

在某些情況下，測頭的顯示信號可能錯誤表示測頭已就位。切勿單憑測頭信號來停止機器的行程移動。

如果測頭發生意外碰撞，測頭的觸發控制機制將防止機器後退行程。

測頭的連接關節是設計用於當意外碰撞時釋放測針模組。

本產品配備直驅馬達，若發生緊急狀況，按下 E-STOP 按鈕快速停止並保持定位可大幅降低風險反應。然而，即使 E-STOP 按鈕已按下，測頭座馬達仍會保持轉動。

PH20 測頭座必須採用 Renishaw 提供的原廠包裝來運送。

本裝置不適合在具有爆炸危險可能性的環境中使用。

PH20 installation and user's guide

www.renishaw.com

ZH - 安全须知



小心:在拆包和安装PH20系统之前,用户应仔细阅读下述安全说明,并确保所有操作者都能始终遵守这些安全说明。操作人员必须在配装PH20系统的机器环境中,接受PH20及其随附产品的使用和应用培训,然后才能获准操作该机器。

请确保您了解所有的安全说明。建议您熟悉PH20系统组件。



小心:在PH20系统的某些组件及其相关产品中使用了永久磁体。请特别注意,尽量使可能受到磁场影响的物体远离装置,诸如数据存储系统、心脏起搏器和手表等。

操作和维护

本产品只能与相应的雷尼绍控制器一同使用。

PH20系统的安装必须由经专门培训的人员执行。

切勿直接编辑任何系统文件,相应的调试软件包只能由经专门培训的人员使用。

建议在执行任何维护作业之前先断开电源。

请严格遵循维护章节中所述的程序进行维护。

PH20 installation and user's guide

www.renishaw.com

警告

谨防意外移动。用户的位置应该保持在测座和测针的整个工作区以外。机器供应商应确保用户了解系统的整个工作区。

在所有涉及使用机床或坐标测量机的应用中，建议采取保护眼睛的措施。

机器供应商有责任使用户了解操作中存在的任何危险，包括雷尼绍产品说明书中提到的危险，并确保提供充分的防护装置和安全联动装置。

参见机器供应商的操作说明书。

请注意避免测座与工件或坐标测量机工作台之间发生碰撞。

务必确保测座在坐标测量机轴套中的安装尽可能牢固。

务必确保在请求位置变更之前，测座可无障碍移动。

切勿对测座的任何运动部件施加力。

切勿在锁定或解锁时手动移动测座轴。

本产品 and 系统组件不含用户可自行维修的部件。不得尝试拆解本产品的任何部件。如果出现问题，请与供应商联系，获取帮助。

电缆必须符合雷尼绍的规格。布线不正确可能导致装置损坏。

在某些情况下，测头信号可能错误地表示测头已就位。切勿单凭测头信号来停止机器运动。

如果测头发生碰撞，测头触发超控将防止机器后退。

测头连接件设计为在碰撞时释放测针模块。

本产品具有直驱电机，对E-STOP作出的风险最低的反应是执行快速停止，然后保持位置不动。在这种情况下，即使E-STOP按钮按下时，测座电机将仍保持活动。

PH20测座必须采用雷尼绍提供的包装运输。

本装置不适合在潜在的爆炸性环境中使用。

Renishaw plc
New Mills, Wotton-under-Edge
Gloucestershire, GL12 8JR
United Kingdom

T +44 (0)1453 524524
F +44 (0)1453 524901
www.renishaw.com/cmmsupport



**For worldwide contact details,
please visit our main website at
www.renishaw.com/contact**